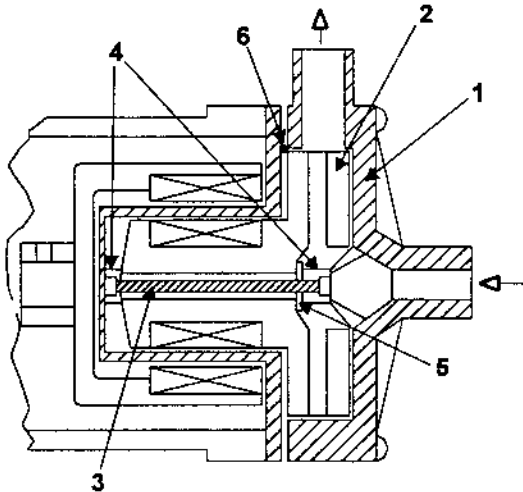
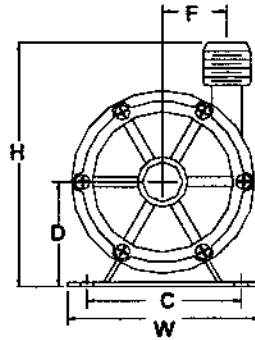
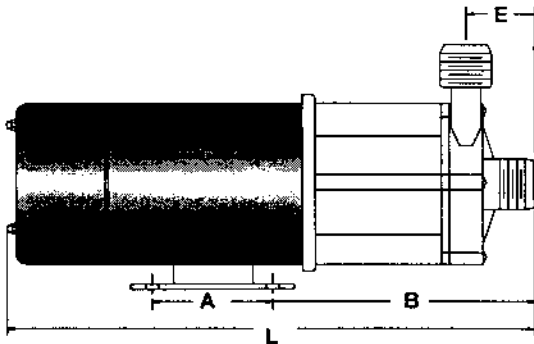


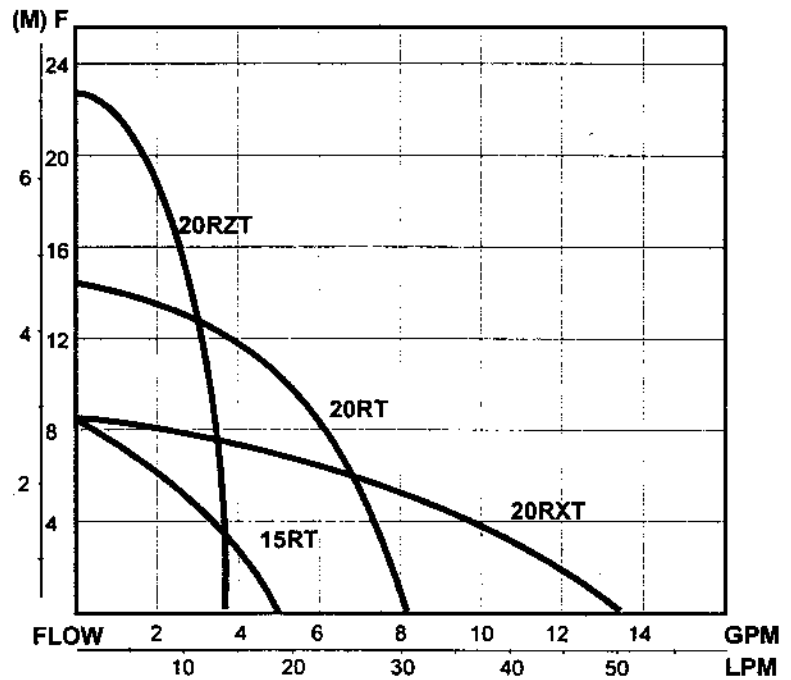


IWAKI WALCHEM Corporation

WMD-15/20



Part	Material
1 Casing	GFRPP
2 Impeller	GFRPP or CFRPP
3 Spindle	Ceramic
4 Bearing	PTFE
5 Thrust Ring	Ceramic or PE
6 O-ring	FKM (fluoroelastomer) or EPDM



Dimensions (in) and Specifications

Model	W	H	L	A	B	C	D	E	F
WMD-15R(T)	3.50	4.48	8.00	2.37	3.03	2.62	2.15	1.52	0.84
WMD-20R(T)	3.50	4.36	10.53	2.37	4.97	2.62	1.93	1.20	1.12
WMD-20RX(T)	3.50	4.89	11.00	2.37	5.66	2.62	1.93	1.83	15+
WMD-20RZ(T)	3.50	4.69	10.62	2.37	5.30	2.62	1.93	1.56	1.52

+ Degrees offset from vertical

Model	Connections		Motor		Amps 115V	Max Flow (gpm)	Max Head (ft)	Max Sys Pressure (PSI)	Spec Grav	Wgt (lbs)
	Hose	NPTM	Output	Speed						
WMD-15R(T)	1/2	1/2	1/75	3100	.82	5.0	11.1	7.2	1.3	6
WMD-20R(T)	5/8	3/4	1/38	3100	.42	8.2	14.1	10.0	1.1	7
WMD-20RX(T)	1	1	1/38	3100	.42	13.7	8.2	5.7	1.3	7
WMD-20RZ(T)	5/8	3/4	1/38	3100	.42	2.9	22.6	14.2	1.1	7

B192 WMD 15/20
5/98 (B)

5 BOYNTON ROAD HOPPING BROOK PARK HOLLISTON, MA 01746-1446 USA
TEL: 508-429-1440 FAX: 508-429-1386 E-MAIL: IWAKIWALCHEM@IWAKIWALCHEM.COM

- Twin bearing system handles thrust loads, extends service life
- Hollow rotating spindle/internal cooling circuit reduces bearing temperature
- Compact design
- Quiet energy efficient design
- Other sizes, voltages and material available
- Few moving parts for easy maintenance