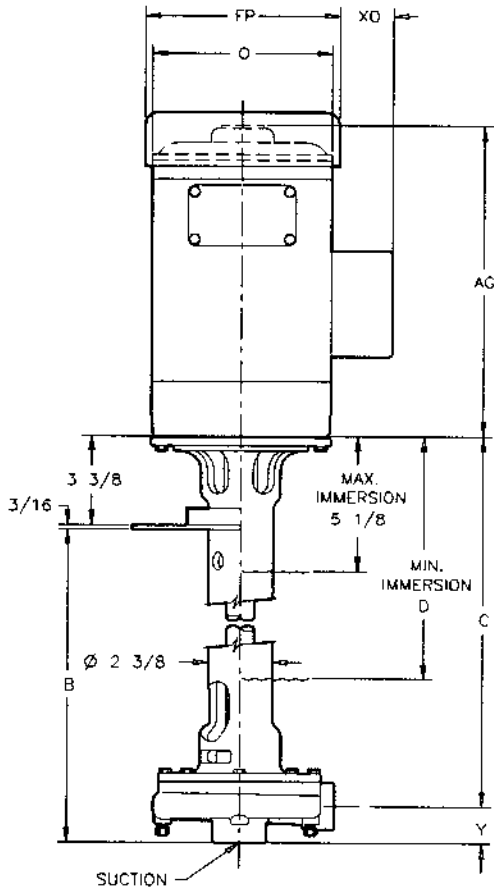




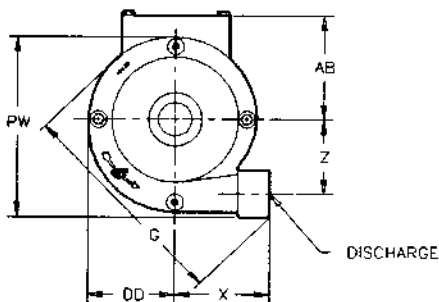
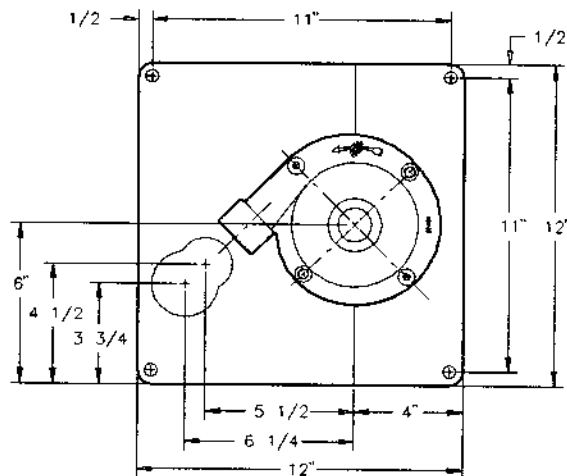
PRICE PUMP CO.

CD VERTICAL (AI, CIBF)  
 OUTLINE DRAWING  
 Effective: January 1, 1995



HP	RPM	FRM	MOTOR END DIMENSIONS			
			AG	FP	O	XO
1/4	1800	56C	7 3/4	6 1/8	5 3/8	2 1/16
1/3	1800	56C	8 1/4	6 1/8	5 3/8	2 1/16
1/2	1800	56C	8 3/4	6 1/8	5 3/8	2 1/16
1/3	3600	56C	8 1/2	6 1/8	5 3/8	2 1/16
1/2	3600	56C	8 3/4	6 1/8	5 3/8	2 1/16
3/4	3600	56C	9 1/4	6 1/8	5 3/8	2 1/16
1	3600	56C	9 3/4	6 1/8	5 3/8	2 1/16
1 1/2	3600	56C	10 1/2	7 3/16	6 7/8	2 1/4
2	3600	56C	11 1/8	7 3/16	6 7/8	2 1/4
3	3600	56C	12 3/8	7 3/16	6 7/8	2 1/4
5	3600	184C	13 5/8	8 1/2	7 7/8	2 1/4

NOTE:  
 MOTOR DIMENSIONS WILL VARY BY MODEL AND MAKE.  
 DIMENSIONS ARE TO BE USED FOR REFERENCE ONLY.



	COLUMN DIMENSIONS		IMMERSION
	B	C	MIN. D
CD100-V CI 13"	11 3/4	13 15/16	9 1/8
CD100-V CI 20"	18 3/4	20 15/16	16 1/8
CD150-V CI 13"	12 11/16	14 1/16	9 1/8
CD150-V CI 20"	19 11/16	21 1/16	16 1/8

Note: 20", 32" and 44" pumps are built with 316 SS columns. See the CD SS Vertical Outline Drawing for Dimensions and Immersion information.

	PUMP END DIMENSIONS							
	G	DD	PW	X	Y	Z	SUCTION	DISCHG
CD100 CI	8 3/16	3 3/16	6 11/16	3 1/2	1 3/8	2 3/4	1 1/4	1"
CD150 CI	9 7/16	4 1/16	7 15/16	3 13/16	2 1/8	3 1/16	2"	1 1/2"

NOTE: ALL DIMENSIONS HAVE BEEN ROUNDED TO THE NEAREST SIXTEENTH OF AN INCH.

(O-CDV-AI.doc \Book\Outline 95)

Price® Pump Company

21775 8th Street, East • P.O. Box Q • Sonoma, CA 95476-0329 • (707) 938-8441 • Fax (707) 938-0764