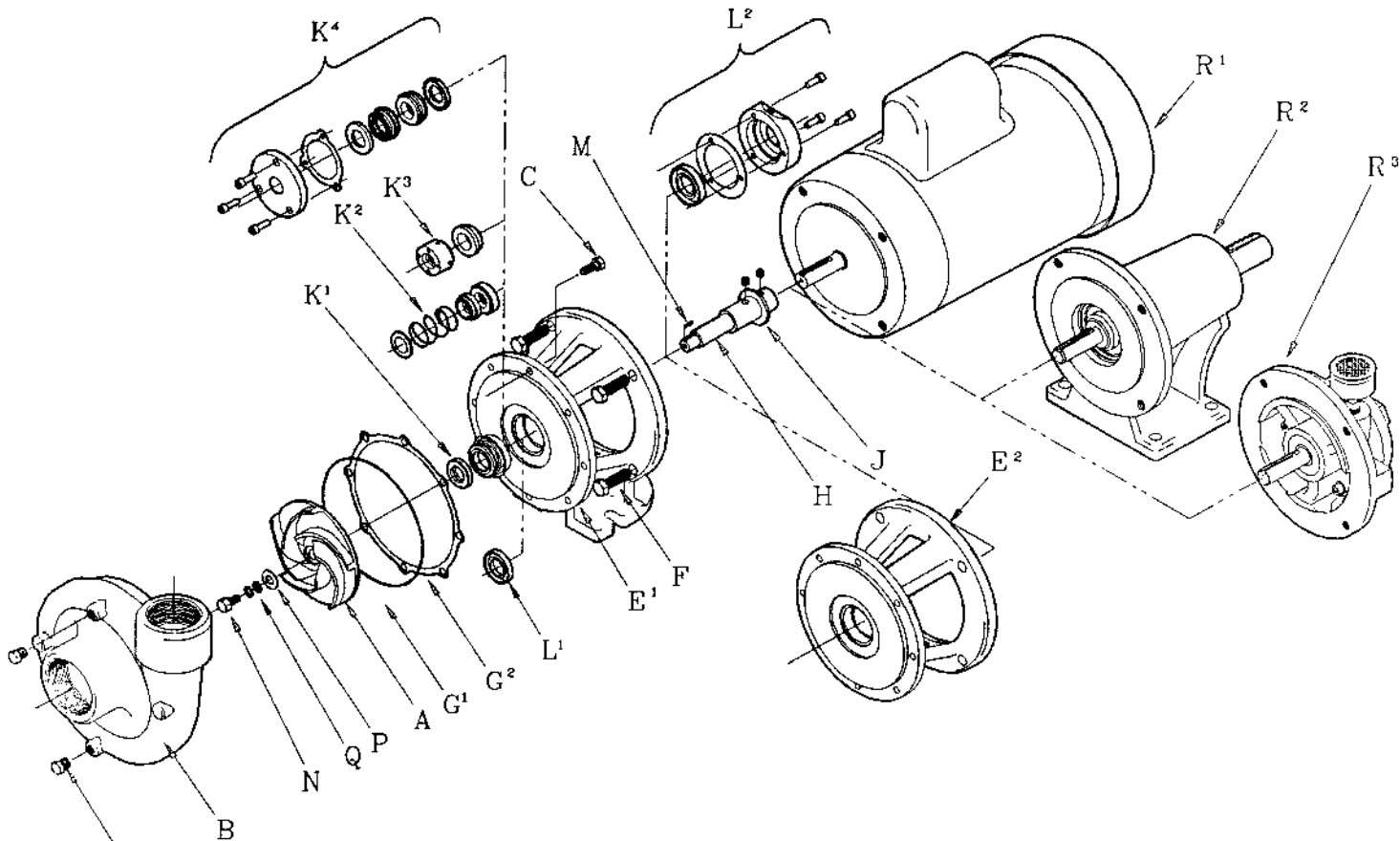




PRICE PUMP CO.

CD (AI, AB, CIBF) Parts List

Effective: June 17, 1997



AI = All Iron
 CIBF = Cast Iron Bronze Fitted
 AB = Bronze

		CD100AI	CD100CIBF	★CD100AB	★CD150AI	★CD150CIBF	★CD150AB
A.	Impeller ** Part No.-Specify diameter	2402-dia	2404-dia	2404-dia	2408-dia	2410-dia	2410-dia
B.	Volute	2401	2401	2403-0	2407-0	2407-0	2409-0
C.	Volute Bolts	0573 (4 rqd)	0573 (4 rqd)	0376 (4 rqd)	0573 (8 rqd)	0573 (8 rqd)	0376 (4 rqd)
D.	1/8" Pipe Plugs (2 rqd)	0557	0557	0558	0557	0557	0558
E ¹ .	Bracket - with Foot	2426	2426	2400	2426	2426	2400
E ² .	Bracket- without Foot	2428	2428	2440	2428	2428	2440
F.	Motor Bolts (4 rqd)	0588	0588	0592	0588	0588	0592

**For Double Seal Impellers (add "DS" to Impeller P/N For Example: 2402DS)

★ These Models Use an O-Ring Volute Flange Gasket (G¹)

Continued

Price® Pump Company

21775 8th Street East ♦ P.O. Box Q ♦ Sonoma, CA 95476-0329 ♦ (707) 938-8441 ♦ Fax (707) 938-0764

CD (AI, AB, CIBF) Parts List
Continued

	<u>Part No.</u>		<u>Part No. All Models</u>
G ¹ . O-Rings (for Volute Flange)		T.21 EPR (2 rqd)	1023
Buna (std) Material same as seal	3074	Double Seal Plate	0973
Fluorocarbon "	3070	Plate Gasket, PTFE	0974
PTFE "	3071	Plate Bolts (3 rqd)	0256
Neoprene "	3072	L ¹ . Fluorocarbon T.6A Quench Lip Seal	0899
EPR "	3073	L ² . T.21 Quench Opt. (for 5/8" shaft pumps only)	
G ² . Gasket, Syn Fiber		Quench Plate	0308
for CD100AI &BF Only	0506	Plate Gasket, Syn Fiber	0504
	<u>Part No. All Models</u>	Plate Bolts (3 rqd)	0267
H. Shaft w/ setscrews with 5/8" ID	2421-1	Fluorocarbon Lip Seal	0891
Shaft w/ setscrews with 7/8" ID	2422-1	M. Impeller Lockdown Key	2424
J. Slinger	0522	N. * Impeller Lockdown Bolt	0575
Seal with Seat		P. Impeller Flat Washer	2423
K ¹ . T.6A Buna (std)	0538	Q. * Impeller Lockwashers (2 rqd)	2344
T.6A Fluorocarbon	0539	R ¹ . Motor - Specify P/N	
T.6A Neoprene w/ NiResist Seat	0675	R ² . Power Frames	
K ² . T.21 Fluorocarbon (opt)	0553	For Use with 5/8" ID Shafts	5478
K ³ . T.9 Single PTFE (opt)	1150	For Use with 7/8" ID Shafts	5501
K ⁴ . Double Seal/Seat (opt)		R ³ . Air Motor - Specify P/N	
T.21 Fluorocarbon (2 rqd)	0985		
T.21 Neoprene (2 rqd)	0984		

* New Lockdown Assembly Parts Used After 01/10/97

CD (AI, AB, CIBF) Repair Parts Kit

P/N 2222 For 5/8" shaft pumps Includes: 5/8" Shaft w/ SS, Slinger, Impeller Lockdown Bolt, Impeller Flat Washer, Lockwashers (2), and Impeller Lockdown Key. **Must Select Gasket or O-ring Separately See Notes Below**

P/N 2222-1 For 7/8" shaft pumps Includes: 7/8" Shaft w/ SS, Slinger, Impeller Lockdown, Impeller Flat Washer, Lockwashers (2), and Impeller Lockdown Key **Must Select Gasket or O-ring Separately See Notes Below**

Note: Specify O-ring or Gasket P/N and order separately in addition to kit.

Fluorocarbon (std)	P/N 3070
Buna	P/N 3074
PTFE	P/N 3071
Neoprene	P/N 3072
EPR	P/N 3073
Gasket, Syn. Fiber	P/N 0506

Note: Seal/Seat must be ordered in addition to kit.

 5/8" T.6A Buna Seal (std). Options: 5/8" T.21 Single seal T.9 Single and T.21 Double seal.
 5/8" Double T.9 not available

(CD:AIPar5.doc Parts 97 8/22/97)

Price® Pump Company

21775 8th Street East ♦ P.O. Box Q ♦ Sonoma, CA 95476-0329 ♦ (707) 938-8441 ♦ Fax (707) 938-0764