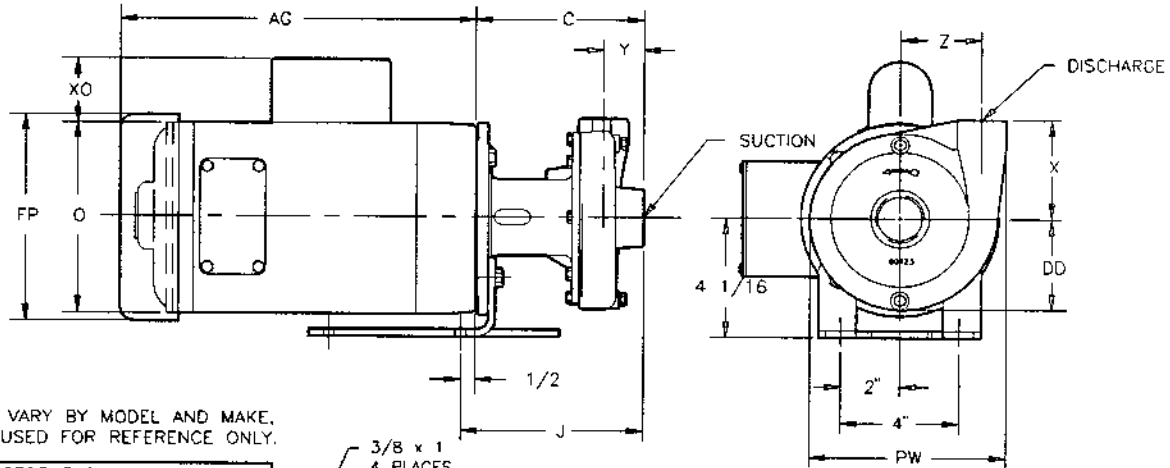




**PRICE PUMP CO.**

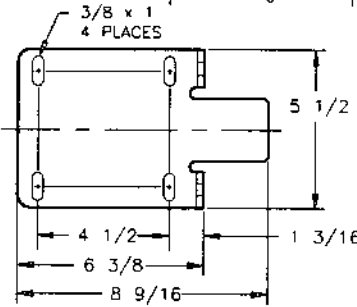
**CD SS OUTLINE DRAWING**

Effective: January 1, 1995



NOTE:  
MOTOR DIMENSIONS WILL VARY BY MODEL AND MAKE.  
DIMENSIONS ARE TO BE USED FOR REFERENCE ONLY.

		MOTOR END DIMENSIONS				
HP	RPM	FRM	AG	FP	O	XO
1/4	1800	56C	7 3/4	6 1/8	5 3/8	2 1/16
1/3	1800	56C	8 1/4	6 1/8	5 3/8	2 1/16
1/2	1800	56C	8 3/4	6 1/8	5 3/8	2 1/16
1/3	3600	56C	8 1/2	6 1/8	5 3/8	2 1/16
1/2	3600	56C	8 3/4	6 1/8	5 3/8	2 1/16
3/4	3600	56C	9 1/4	6 1/8	5 3/8	2 1/16
1	3600	56C	9 3/4	6 1/8	5 3/8	2 1/16
1 1/2	3600	56C	10 1/2	7 3/16	6 7/8	2 1/4
2	3600	56C	11 1/8	7 3/16	6 7/8	2 1/4
3	3600	56C	12 3/8	7 3/16	6 7/8	2 1/4
5	3600	184C	13 5/8	8 1/2	7 7/8	2 1/4



NOTE:  
ALL DIMENSIONS HAVE BEEN ROUNDED TO THE NEAREST 1/16".

		PUMP END DIMENSIONS								
		C	DD	PW	X	Y	Z	J	SUCTION	DISCHG
CD100	SS	5 3/4	3 1/8	6 5/8	3 1/2	1 3/8	2 3/4	6 1/4	1 1/4	1"
CD150	SS	6 13/16	4 1/16	7 15/16	3 13/16	2 1/8	3 1/16	7 5/16	2"	1 1/2"

(O-CDAL.doc \Book\Outline 95)

**Price® Pump Company**

21775 8th Street East ♦ P.O. Box Q ♦ Sonoma, CA 95476-0329 ♦ (707) 938-8441 ♦ Fax (707) 938-0764