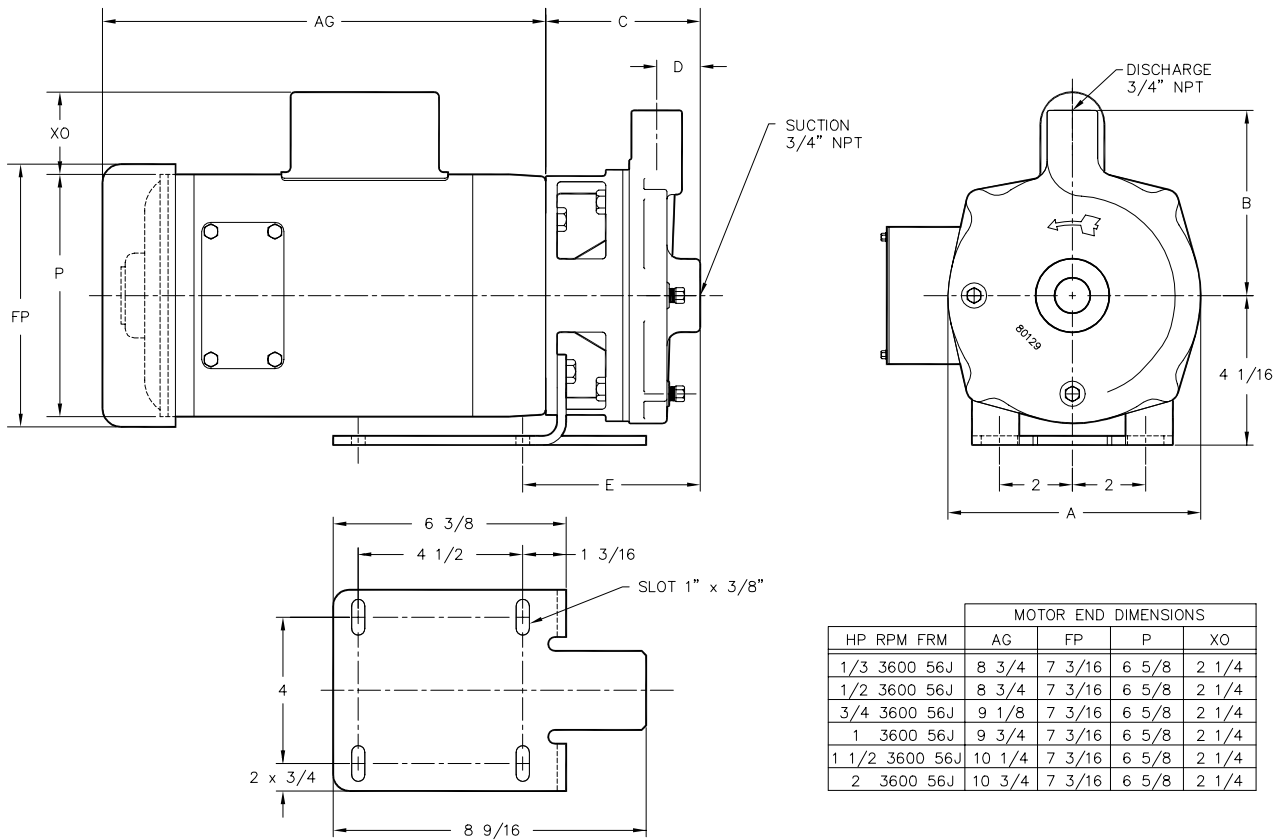




HP OUTLINE DRAWING

Effective: March 26, 2002



MATERIAL	MODEL	A	B	C	D	E
BRONZE	HP75BN/ HP75BS	6 15/16	5 1/16	4 1/8	1 1/8	4 7/8
KANIGEN	HP75KN/ HP75KS	6 15/16	5 1/16	4 1/8	1 1/8	4 7/8
CPVC	HP75CN/ HP75CS	7 9/16	4 11/16	3 5/16	1 3/16	4 1/2
SS	HP75SS/HP75SC	6 15/16	5 1/4	4 1/8	1 1/8	4 7/8

NOTE:
MOTOR DIMENSIONS WILL VARY BY MODEL AND MAKE.
DIMENSIONS ARE TO BE USED FOR REFERENCE ONLY.