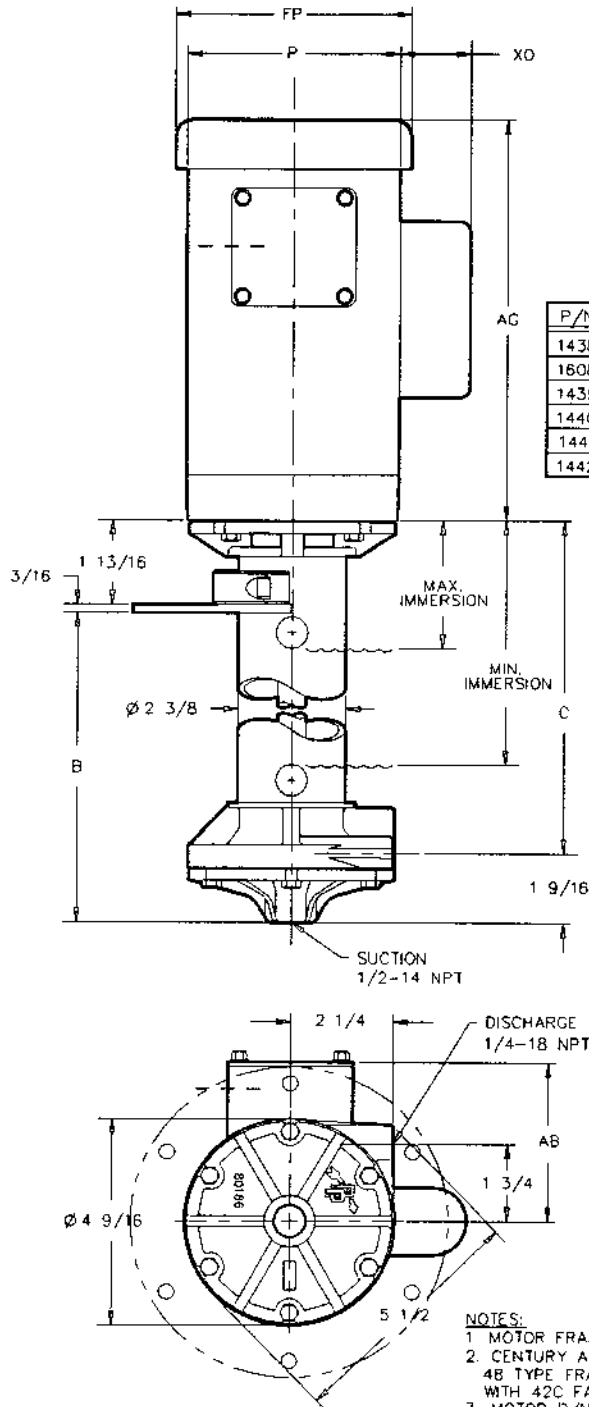




PRICE PUMP CO.

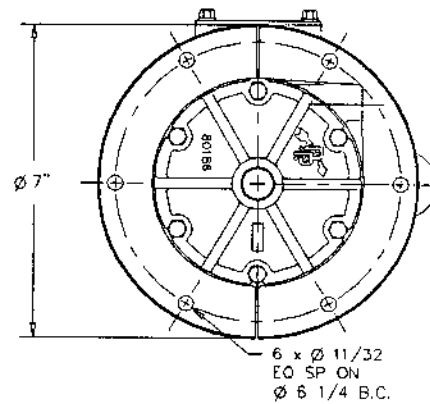
LT25 VERTICAL
OUTLINE DRAWING
Effective: January 1, 1993



MOTOR FRAME DIMENSIONS

| P/N | TYPE | PH | MFR | P | AB | AG | FP | XO |
|------|------|------|---------|---------|--------|--------|--------|--------|
| 1438 | ODP | 1/60 | CENTURY | 5 5/8 | N/A | 8 | N/A | 2 |
| 1608 | | 1/60 | | | | 8 | | |
| 1439 | TEFC | 1/60 | BALDOR | 4 11/16 | 4 1/16 | 9 5/16 | 5 3/16 | 1 9/16 |
| 1440 | | 3/60 | | | | | | N/A |
| 1441 | EXP | 1/60 | G.E. | 6 5/8 | N/A | 9 5/8 | N/A | N/A |
| 1442 | | 3/60 | | | | 9 1/4 | | |

| COLUMN LENGTH | COLUMN DIMS | | IMMERSIONS | |
|---------------|-------------|-------|------------|--------|
| | B | C | MAX | MIN |
| 7 1/2 | 7 1/16 | 7 1/2 | | 5" |
| 13" | 12 9/16 | 13" | 2 7/8 | 10 1/2 |
| 20" | 19 9/16 | 20" | | 17 1/2 |



MOUNTING PLATE DETAIL

- NOTES:
1. MOTOR FRAMES WILL VARY IN LOOK, PER MANUFACTURER.
 2. CENTURY AND G.E. MOTORS ARE MANUFACTURED WITH 4B TYPE FRAME AND 42C FACE, BALDOR IS 42 TYPE FRAME WITH 42C FACE.
 3. MOTOR P/N INDICATES PRICE PUMP CO. PART NUMBER, AND HAS NO SIMILARITY WITH MANUFACTURER PART NUMBERS.
 4. ALL DIMENSIONS HAVE BEEN ROUNDED TO THE NEAREST 1/16 OF AN INCH.

(O-LT25V-AI.doc - Book Outline 97)

Price® Pump Company

21775 8th Street East • P.O. Box Q • Sonoma, CA 95476-0329 • (707) 938-8441 • Fax (707) 938-0764