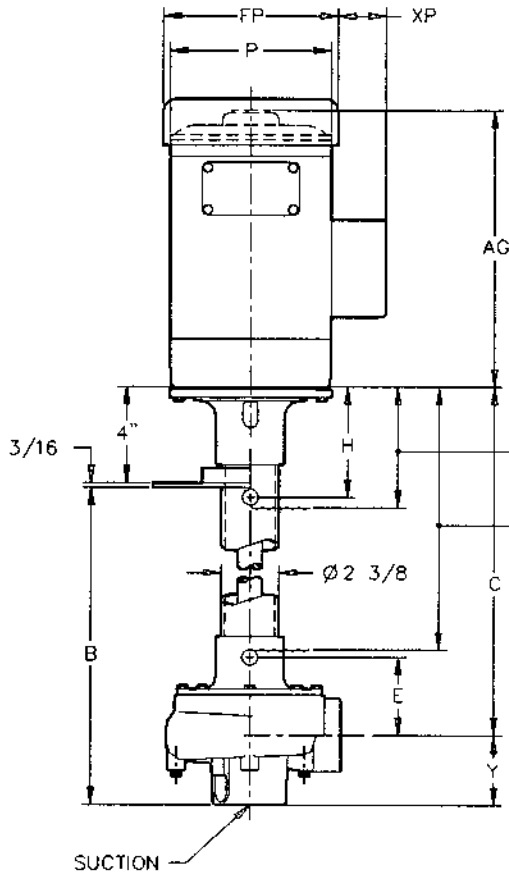




**PRICE PUMP CO.**

**RC-V OUTLINE DRAWING**

Effective: January 1, 1995



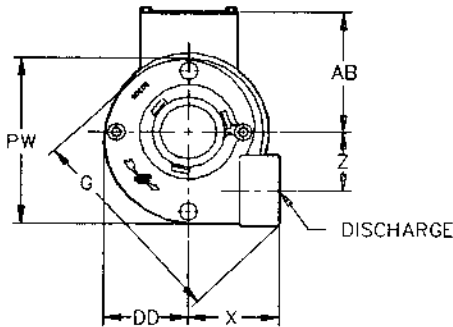
MAX. IMMERSION  
(SEE COLUMN  
DIM. CHART)  
MIN. IMMERSION

MOTOR END DIMENSIONS						
HP	RPM	FRM	AG	FP	P	XP
3/4	3600	56C	9 1/4	6 1/8	5 3/8	2 1/16
1	3600	56C	9 3/4	6 1/8	5 3/8	2 1/16
1 1/2	3600	56C	10 1/2	7 3/16	6 7/8	2 1/4
2	3600	56C	11 1/8	7 3/16	6 7/8	2 1/4
3	3600	56C	12 3/8	7 3/16	6 7/8	2 1/4
5	3600	184C	13 9/16	8 1/2	8 1/4	2 1/4

**NOTE:**

MOTOR DIMENSIONS WILL VARY BY MODEL AND MAKE;  
DIMENSIONS ARE TO BE USED FOR REFERENCE ONLY.

	COLUMN DIMENSIONS				IMMERSION LEVELS		
	COLUMN	B	C	E	H	MAX.	MIN.
RC200-V	7.50	7 7/8	9 3/16	3	4	5"	5 1/2"
	13.00	13 3/8	14 11/16	1	9		11"
	20.00	20 3/8	21 11/16	/	/		18"
	32.00	32 3/8	33 11/16	4	1		30"
	44.00	44 3/8	45 11/16		6		42"
RC300-V	7.50	8 5/16	9 3/16	3	4	5"	5 1/2"
	13.00	13 13/16	14 11/16	1	9		11"
	20.00	20 13/16	21 11/16	/	/		18"
	32.00	32 13/16	33 11/16	4	1		30"
	44.00	44 13/16	45 11/16		6		42"



	PUMP END DIMENSIONS						PIPE THREADS	
	G	DD	PW	X	Y	Z	SUCTION	DISCHG
RC200-V	8 3/4	3 1/2	7 1/8	3 3/4	2 7/8	2 1/2	2"	2"
RC300-V	11 1/2	4 3/8	9 3/16	4 1/2	3 5/16	3 3/4	3"	3"

**NOTE:** ALL DIMENSIONS ARE ROUNDED TO THE NEAREST SIXTEENTH OF AN INCH.

**Price® Pump Company**

21775 8th Street East ♦ P.O. Box Q ♦ Sonoma, CA 95476-0329 ♦ (707) 938-8441 ♦ Fax (707) 938-0764