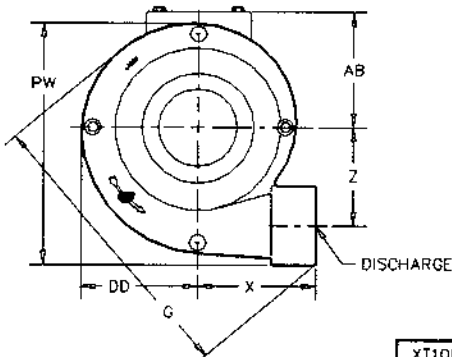
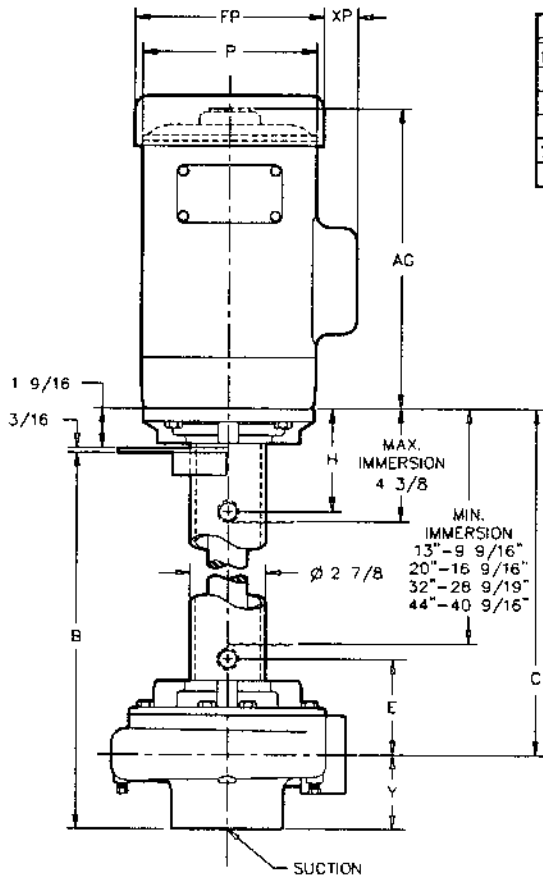




PRICE PUMP CO.

**"X" SERIES - THREADED VERTICAL
STAINLESS STEEL OUTLINE DRAWING**

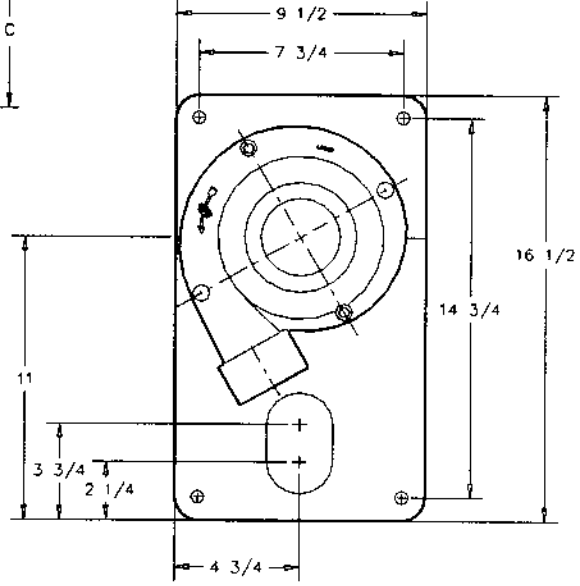
Effective: October 1, 1994



MOTOR END DIMENSIONS							
HP	RPM	FRM	AG	FP	P	XP	AB
1 1/2	3600	143JM	10 7/8	7 1/2	6 7/8	2 1/4	5 1/4
2	3600	145JM	10 7/8	7 1/2	6 7/8	2 1/4	5 1/4
3	3600	145JM	12 3/8	8 15/16	8 7/16	2 1/4	5 7/8
5	3600	182JM	12 3/8	8 1/2	8 7/16	2 1/4	5 7/8
7 1/2	3600	184JM	14 9/16	10 5/16	10 1/16	2 7/8	7 3/8
10	3600	215JM	12 3/8	8 1/2	8 7/16	2 1/4	5 7/8

NOTE:
MOTOR DIMENSIONS WILL VARY BY MODEL AND MAKE:
DIMENSIONS ARE TO BE USED FOR REFERENCE ONLY.

COLUMN DIMENSIONS					
COLUMN	B	C	E	H	
XT100SS-V	13"	14 1/16	13 7/16	3 7/16	4"
	20"	21 1/16	20 7/16		
	32"	33 1/16	32 7/16		
	44"	45 1/16	44 7/16		
XT150SS-V	13"	15 1/16	13 1/2	3 1/2	4"
	20"	22 1/16	20 1/2		
	32"	34 1/16	32 1/2		
	44"	46 1/16	44 1/2		
XT200SS-V	13"	14 3/4	13 5/8	3 5/8	4"
	20"	21 3/4	20 5/8		
	32"	33 3/4	32 5/8		
	44"	45 3/4	44 5/8		



PUMP END DIMENSIONS								
	G	DD	PW	X	Y	Z	SUCTION	DISCHG
XT100	10"	4"	8 3/8	4"	2 3/8	3 1/2	1-1/2"	1"
XT150	10 7/16	4 1/8	8 3/4	4 1/4	3 1/4	3 5/8	2"	1-1/2"
XT200	11 1/8	4 3/8	9 3/8	4 1/2	2 7/8	3 3/4	3"	2"

NOTE: ALL DIMENSIONS HAVE BEEN ROUNDED TO NEAREST 1/16"

(O-XVXTSS 97)

Price® Pump Company

21775 8th Street East • P.O. Box Q • Sonoma, CA 95476-0329 • (707) 938-8441 • Fax (707) 938-0764