



PRICE PUMP CO.

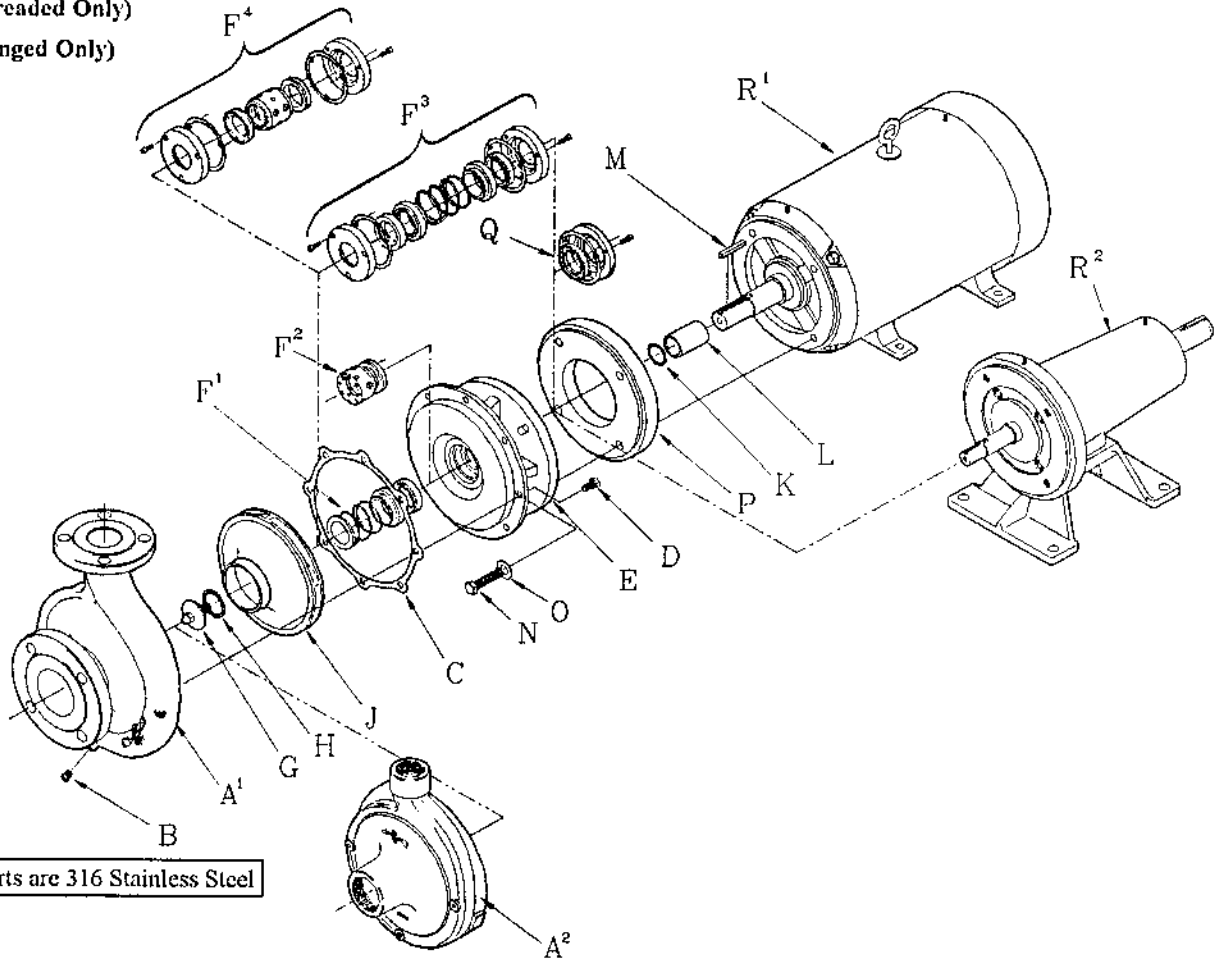
XJ /JB PARTS LIST

Effective: June 26, 1997



For Sizes:

- 1 x 1½ - 8
- 1½ x 2 - 8 (Threaded Only)
- 1½ x 3 - 8 (Flanged Only)
- 2 x 3 - 8



Note: All wetted parts are 316 Stainless Steel

| | | | | | |
|----------------------|-------------------------------|------|-----------|--|----------------------|
| A¹ | Volute (Flanged) (316SS) | | | | |
| | 1 x 1½ -8 (XJ100) | 2620 | | | |
| | 1½ x 3 -8 (XJ150) | 2622 | | | |
| | 2 x 3 -8 (XJ200) | 2624 | | | |
| A² | Volute (Threaded Opt) (316SS) | | | | |
| | 1 x 1½ -8 (JB100) | 4002 | | | |
| | 1½ x 2 -8 (JB150) | 4003 | | | |
| | 2 x 3 -8 (JB200) | 4000 | | | |
| | | | B. | 1/8" Pipe Plug (1 reqd std, 3 others opt)(316SS) | XJ/JB 0559 |
| | | | C. | Volute Gasket, PTFE | 4035 |
| | | | D. | Volute Bolts (8 reqd) (316SS) | 0724 |
| | | | E. | Bracket (316SS) | |
| | | | | Single Seal (std) | 4010 |
| | | | | Double Seal | 4010-1 |
| | | | | Single Flush | 4010-2 |
| | | | | Quench & Flush | 4010-3 |
| | | | | Internal Flush | 4010-4 |

Continued on Back

Price® Pump Company

21775 8th Street East ♦ P.O. Box Q ♦ Sonoma, CA 95476-0329 ♦ (707) 938-8441 ♦ Fax (707) 938-0764

XJ/JB Parts List - Continued

Page 2 of 2

| | | <u>XJ/JB</u> | |
|-----|--|--------------------|------------------|
| F1. | T.21 Fluorocarbon Single Seal/Seat (std) | 0122 | |
| F2. | T.9 PTFE Single Seal/Seat (opt) | 0123 | |
| | Seat Pin for T.9 (not shown) | 0890 | |
| F3. | T.21 Fluorocarbon Double Seal/Seat (opt) | 1024 | |
| | Double Seal Plate T.21 (2 rqd) | 0309 | |
| | Plate Gasket, PTFE (2 rqd) | 0505 | |
| | Seal Plate Bolts (6 rqd) | 0977 | |
| F4. | T.9 PTFE Double Seal/Seat (opt) | 0670 | |
| | Double Seal Plate T.9 (2 rqd) | 0309-1 | |
| | Plate Gasket, PTFE (2 rqd) | 0505 | |
| | Plate Bolts (6 rqd) | 0977 | |
| | Seat Pin for T.9 (2 rqd, not shown) | 0890 | |
| | | <u>143JM-215JM</u> | <u>254/256JM</u> |
| G. | Impeller lockdown | 0978 | 4050 |
| H. | Lockdown Gasket, PTFE | 0245 | 4060 |
| J. | Impeller for Flanged Volute ** | | |
| | 1 x 1½ -8 (XJ100) | 2621-dia | N/A |
| | 1½ x 3 -8 (XJ150) | 4024-dia | 4026-dia |
| | 2 x 3 -8 (XJ200) | 2628-dia | 2625-dia |
| | Impeller for Threaded Volute (opt) ** | | |
| | 1 x 1½ -8 (JB100) | 4022-dia | N/A |
| | 1½ x 2 -8 (JB150) | 4024-dia | 4026-dia |
| | 2 x 3 -8 (JB200) | 4020-dia | 4025-dia |
| | ** For Double Seal Impellers (add "DS" to Impeller P/N. For Example: 2621DS or 4022DS) | | |
| K. | Sleeve Gasket, PTFE | 0245 | 4045 |
| L. | Shaft Sleeve | 0127 | 4040 |
| M. | Impeller Shaft Key | 0135 | 0136 |
| N. | Bracket Bolts (4 rqd) | | 0595 |
| | 143-184JM | 0588 | |
| | 213JM/215JM | 1189 | |
| O. | Bracket Bolt Washers (4 rqd) | | |
| | 143-184JM | 1137 | |
| | 213JM/215JM | 1199 | |
| | 254JM/256JM | | 1199 |
| P. | Spacer (Bracket to Motor) | N/A | 4055 |
| | Only rqd for 254/256 JM Motors | | |
| Q. | Seal Quench (opt) | | Any Frame |
| | Lip Seal Plate | 0309-2 | |
| | Buna Lip Seal | 0756 | |
| | Fluorocarbon Lip Seal | 0757 | |
| | PTFE Lip Seal | 0758 | |
| | Plate Gasket, PTFE (1 rqd) | 0505 | |
| | Plate Bolts (3 rqd) | 0977 | |
| R1. | Motor | | Specify P/N |
| R2. | Power Frame | | 0502 |

XJ/JB Repair Parts Kits

Includes: PTFE Gasket, SS Shaft Sleeve, Sleeve Gasket, Impeller lockdown Gasket, Loctite

P/N 4095 Kit for 143/215JM

P/N 4096 Kit for 254/256JM

Note: Seal/seat must be ordered in addition to repair kit.

Options: 1½" T.21 & T.9 Single & Double

(XJ-JBPR7 Parts 97 11/14/97)

Price® Pump Company

21775 8th Street East • P.O. Box Q • Sonoma, CA 95476-0329 • (707) 938-8441 • Fax (707) 938-0764