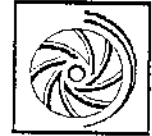




PRICE PUMP CO.

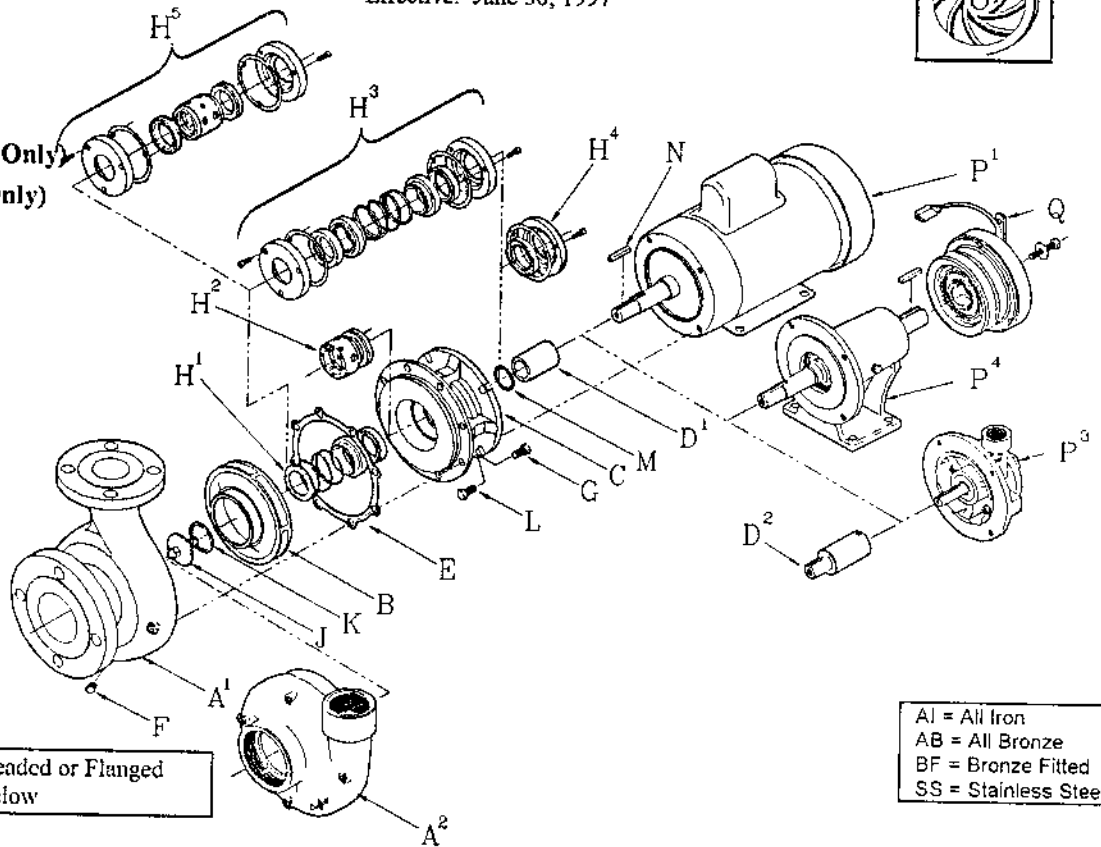
XT/XL PARTS LIST

Effective: June 30, 1997



For Sizes:

- 1 x 1½ - 6
- 1½ x 2 - 6 (Threaded Only)
- 1½ x 3 - 6 (Flanged Only)
- 2 x 3 - 6



Note: Pumps available in Threaded or Flanged Connections as noted below

AI = All Iron
 AB = All Bronze
 BF = Bronze Fitted
 SS = Stainless Steel

A.	Volute	<u>AI Threaded</u>	<u>BF Threaded</u>	<u>AB Threaded</u>	<u>SS Threaded</u>	<u>SS Flanged</u>
	1 x 1-1/2 - 6 (XT100 Threaded, XL100 Flanged)	2601	2601	2603	2629	2605
	1-1/2 x 2 - 6 (XT150 Threaded)	2607	2607	2609	2626	
	1/2 x 3 - 6 (XL150 Flanged)					2611
	2 x 3 - 6 (XT200 Threaded, XL200 Flanged)	2613	2613	2615	2627	2617
B.	Impeller Specify diameter **					
	1 x 1-1/2 - 6 (XT100 Threaded, XL100 Flanged)	2602-dia	2604-dia	2604-dia	2606-dia	2606-dia
	1-1/2 x 2 - 6 (XT150 Threaded)	2608-dia	2610-dia	2610-dia	2612-dia	
	1-1/2 x 3 - 6 (XL150 Flanged)					2612-dia
	2 x 3 - 6 (XT200 Threaded, XL200 Flanged)	2614-dia	2616-dia	2616-dia	2618-dia	2618-dia
	Note: For Dbl seal add DS (Sample: 2614DS-dia)					
C.	Bracket (std)	0131	0131	0132	0979	0979
	Double Seal	0131-1	0131-1	N/A	0979-1	0979-1
	Single Flush	0131-2	0131-2	0132-2	0979-2	0979-2
	Quench	0131-3	0131-3	N/A	0979-3	0979-3
	Internal Flush	0131-4	0131-4	N/A	0979-4	0979-4
D ¹ .	Shaft Sleeve (for std JM motor)	0127	0126	0126	0127	0127
D ² .	Stub Shaft 5/8" ID (56C) opt	0329-1	0329-1	0329-1	0329-1	0329-1
D ³ .	Stub Shaft 7/8" ID (143TC/145TC/182C/184C) option (Not Shown)	0328-1	0328-1	0328-1	0328-1	0328-1
E.	Volute Gasket	0124 (Syn Fiber)	0124 (Syn Fiber)	0124 (Syn Fiber)	0301 (PTFE)	0301 (PTFE)
F.	Pipe Plug (2 rqd Threaded, 1 rqd Flanged)	0557	0557	0558	0559	0559
G.	Volute Bolts (8 rqd)	0583	0583	0587	0724	0724
II ¹ .	T.21 Single Seal/Seat	0121 (std B*)	0121 (std B*)	0121 (std B*)	0122 (std V*)	0122 (std V*)

B* = Buna

V* = Fluorocarbon

**For Double Seal Impellers (add "DS" to Impeller P/N For Example: 2602DS)

Continued on Back

Price® Pump Company

21775 8th Street East • P.O. Box Q • Sonoma, CA 95476-0329 • (707) 938-8441 • Fax (707) 938-0764

X PARTS LIST

Effective: June 30, 1997

Continued

		<u>All Models</u>				<u>All Models</u>
H ² .	T.9 PTFE Single Seal/Seat (opt)	0123		J.	Impeller Lockdown	0978
	Seat Pin T.9 (not shown)	0890		K.	Lockdown Gasket, PTFE	0245
H ³ .	T.21 Double Seal/Seat (opt)	Specify P/N		L.	Motor Bolts	
	Double Seal Plate (2 rqd)	0309			All Bronze pumps (4 rqd)	0587
	Plate Gasket, PTFE (2 rqd)	0505			Stainless Steel pumps (4 rqd)	0593
	Plate Bolts (6 rqd)	0977			AI & CIBF pumps (4 rqd) and order Washers (4 rqd)	0593 1137
H ⁴ .	Seal Quench (opt):			M.	Sleeve Gasket, PTFE	0245
	Buna Lip Seal	0756		N.	Impeller Shaft Key	0135
	Fluorocarbon Lip Seal	0757		P ¹ .	JM Motor	Specify P/N
	PTFE Lip Seal	0758		P ² .	'C' Face Motor (not shown) Base Plate (not shown)	Specify P/N 0199
	Lip Seal Plate	0309-2		P ³ .	Air Motor	Specify P/N
	Plate Gasket, PTFE	0505		P ⁴ .	Power Frame	5480
	Plate Bolts (3 rqd)	0977		Q.	12 Volt Clutch (opt)	1983
H ⁵ .	T.9 PTFE Double Seal/Seat (opt)	0670			Key for Clutch (2 ea)	0136
	Double Seal Plate (2 rqd)	0309-1			Lockbolt for Clutch	0567
	Plate Gasket, PTFE (2 rqd)	0505			Lockbolt Washer for Clutch	0564
	Plate Bolts (6 rqd)	0977				
	Seat Pin T.9 (2 rqd not shown)	0890				

XL/XT Repair Parts Kits

All Iron	P/N 0659	Syn. Fiber Gasket - SS Shaft Sleeve - Sleeve Gasket - Loctite - Imp. Lockdown Gasket
CIBF	P/N 0658	Syn. Fiber Gasket - BR Shaft Sleeve - Sleeve Gasket - Loctite - Imp. Lockdown Gasket
SS	P/N 1019	PTFE Gasket - SS Shaft Sleeve - Sleeve Gasket - Loctite - Imp. Lockdown Gasket
Note: Seal/seat must be ordered in addition to repair kit.		
Options: 1½" T.21 & T.9 Single & Double.		

(NTXLpart Parts 97 11/14/97)

Price® Pump Company

21775 8th Street East ♦ P.O. Box Q ♦ Sonoma, CA 95476-0329 ♦ (707) 938-8441 ♦ Fax (707) 938-0764