

MODEL AOD1-P

FEATURES

- **Stall-Free Design**—Our "post-shift", tandem spool air distribution valve insures reliable operation in all types of low pressure and start/stop applications. Plus, fewer parts and no o-rings result in easier maintenance.
- **Oil-less operation**—No metal to metal wearing surfaces. State-of-the-art materials and precision-manufacturing techniques combine to provide the industry's original completely oil-less design. This design means: no oil misting into the environment no unhealthy working conditions no oil, lubricants or grease to contaminate your products. Our oil-less design results in lower operating and maintenance costs. This design has been field proven, working trouble-free since its introduction over 15 years ago.
- **Externally Serviceable Air Valve**—No need to disassemble the pump for routine maintenance. The air valve can be quickly and easily maintained with minimal downtime.
- **Quiet Operation**—Air valve design minimizes exhaust noise providing a significantly quieter work environment.
- **Variety of Elastomers**—AOD® pumps can be assembled with the elastomer that matches your application; Neoprene, Buna-N, Nordel®, Teflon®, Santoprene® and Viton® are all available.

AOD®

Non-Metallic Models
AOD1-P

Patented lubrication-free, stall-free design.

Clean, safe and reliable pumping.

Sizes

Discharge x Suction x Air Inlet.
AOD1-P - 1" x 1" x 3/8" NPT

Wetted Materials

Pump Body
Polypropylene

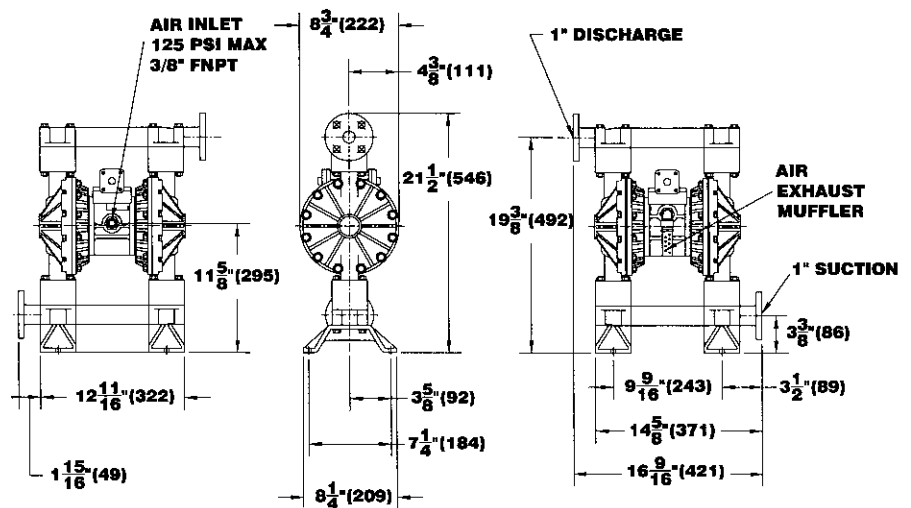
Elastomers

Neoprene
Buna-N
Viton®
Nordel®
Teflon®
Santoprene®

Applications

- AIRCRAFT INDUSTRY
- AUTOMOTIVE
- BEVERAGE INDUSTRY
- CHEMICAL AND PETROLEUM
- GLASS AND FIBERGLASS
- MARINE
- METAL AND STEEL
- MINE AND CONSTRUCTION
- PAINT
- PAPER AND WOOD

MODEL AOD1-P



NOTE: DIMENSIONS ARE IN INCHES AND (MILLIMETERS)

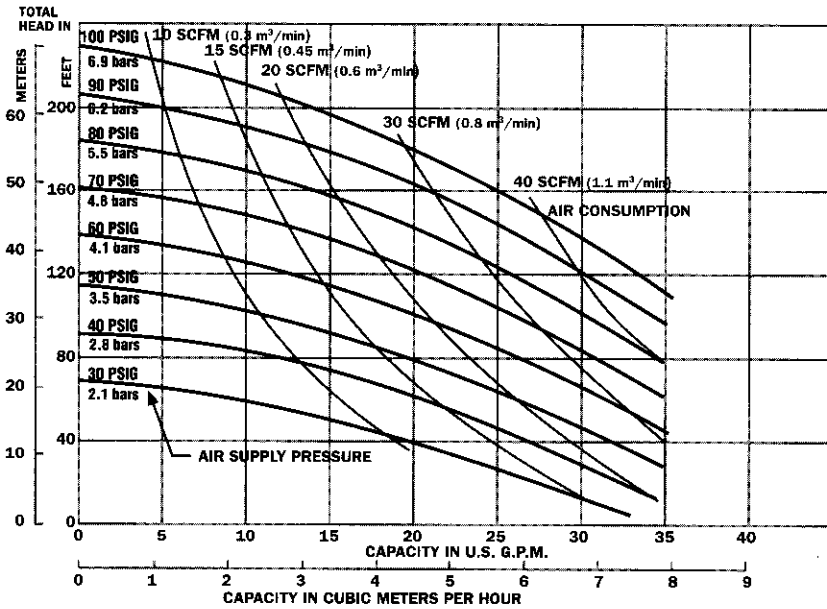
MODEL	SUCTION (BOTTOM)	DISCHARGE (TOP)	AIR INLET
Poly-propylene AOD1-Pxxx	1" ANSI Flange	1" ANSI Flange	3/8" NPT
Poly-propylene AOD1-Pxxx-D	1" DIN Flange	1" DIN Flange	3/8" NPT

*AOD® is a registered trademark of Price® Pump Co.; Viton® and Nordel® are registered trademarks of Dupont Dow Elastomers; Teflon® is registered trademark of Dupont; Santoprene is a registered trademark of Monsanto Company.

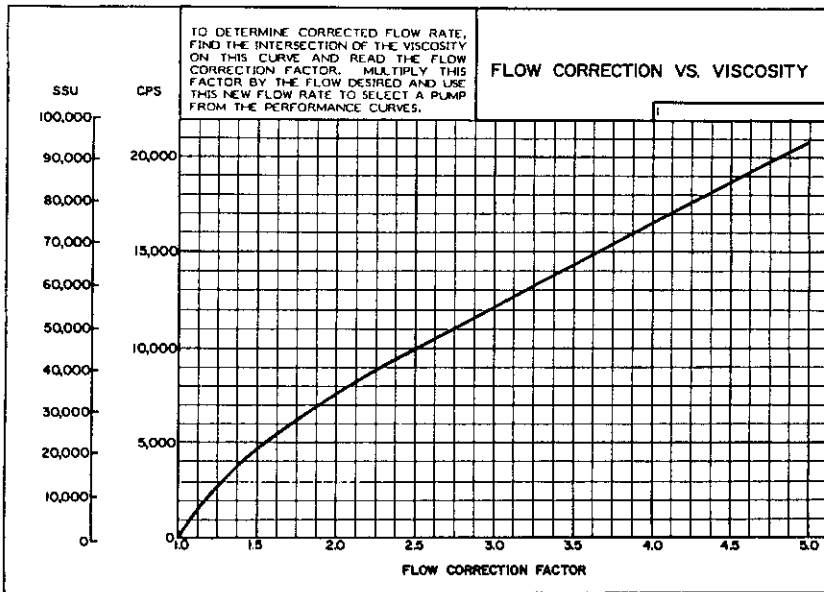


PRICE PUMP CO.

Model AOD1-P



The performance curves shown and other published literature reflect an average performance for all materials and all elastomers, including Teflon®. No derating of the performance is necessary for Teflon® fitted pumps.



Technical Data		MODEL AOD1-P
Maximum flow GPM (litres per minute)		35 (132)
Displacement/Stroke Gal (litres)		
Elastomer Diaphragms		.12 (.45)
Teflon® Diaphragms		.10 (.38)
Max Air Inlet Pressure PSI (bar)		125 (8.8)
Max Spherical Solids Size IN (mm)		3/16 (4.7)
High Temperature Limit °F (°C)		150 (65)
Low Temperature Limit °F (°C)		32 (0)
Shipping Weight Lbs (kg)		
Polypropylene		39 (17.7)

Elastomer Kits	
MATERIAL	P/N
Neoprene	46-441-00
Buna-N	46-441-10
Viton®	46-441-20
Nordel	46-441-30
Santoprene®	46-441-60
Teflon®	46-441-55

Materials of Construction	
Air valve housing	fiber glass
Air chambers	Polypropylene-glass filled
Spool Housing	electroless nickel coated aluminum
Pump external finish	Polypropylene-glass filled
Valve type	elastomeric ball

Suction Lifts				
Elastomer type	dry prime		wet prime	
	FT	metres	FT	metres
Standard	18	5.5	25	7.6
Teflon®	15	4.6	21	6.4



PRICE PUMP CO.

21775 Eight St. East, P.O. Box Q
 Sonoma, CA 95476-0329
 (800) 345-PUMP
 (707) 938-8441 FAX: (707) 938-0764
 www.pricepump.com
 e-mail: sales@pricepump.com

