

MODEL AOD2-P

**FEATURES**

- **Stall-Free Design**—Our "post-shift", tandem spool air distribution valve insures reliable operation in all types of low pressure and start/stop applications. Plus, fewer parts and no o-rings result in easier maintenance.
- **Oil-less operation**—No metal to metal wearing surfaces. State-of-the-art materials and precision-manufacturing techniques combine to provide the industry's original completely oil-less design. This design means: no oil misting into the environment no unhealthy working conditions no oil, lubricants or grease to contaminate your products. Our oil-less design results in lower operating and maintenance costs. This design has been field proven, working trouble-free since its introduction over 15 years ago.
- **Externally Serviceable Air Valve**—No need to disassemble the pump for routine maintenance. The air valve can be quickly and easily maintained with minimal downtime.
- **Quiet Operation**—Air valve design minimizes exhaust noise providing a significantly quieter work environment.
- **Variety of Elastomers**—AOD® pumps can be assembled with the elastomer that matches your application; Neoprene, Buna-N, Nordel®, Teflon®, Santoprene® and Viton® are all available.

**AOD®**

Non-Metallic Models  
**AOD2-P, AOD2-K**

Patented lubrication-free,  
stall-free design.

Clean, safe and reliable  
pumping.

**Sizes**

Discharge x Suction x Air Inlet.

**AOD2-P** - 2" x 2" x 3/4" NPT

**AOD2-K** - 2" x 2" x 3/4" NPT

**Wetted Materials**

**Pump Body**

Polypropylene  
PVDF

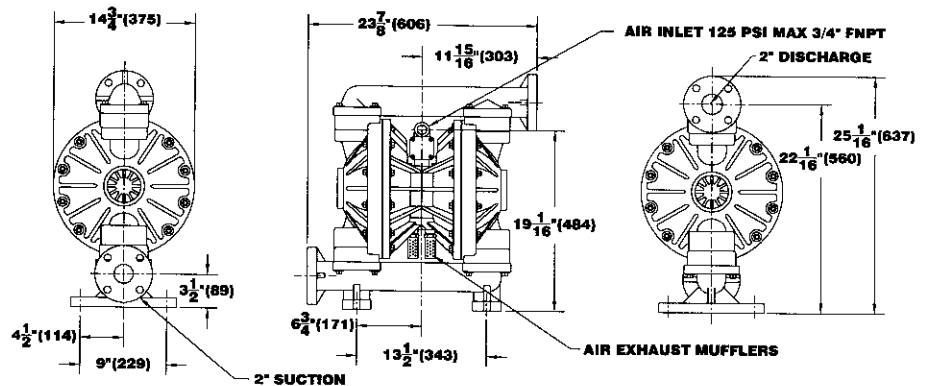
**Elastomers**

Neoprene  
Buna-N  
Viton®  
Nordel®  
Teflon®  
Santoprene®

**Applications**

- AIRCRAFT INDUSTRY
- AUTOMOTIVE
- BEVERAGE INDUSTRY
- CHEMICAL AND PETROLEUM
- GLASS AND FIBERGLASS
- MARINE
- METAL AND STEEL
- MINE AND CONSTRUCTION
- PAINT
- PAPER AND WOOD

**MODEL AOD2-P, AOD2-K**



NOTE: DIMENSIONS ARE IN INCHES AND (MILLIMETERS).

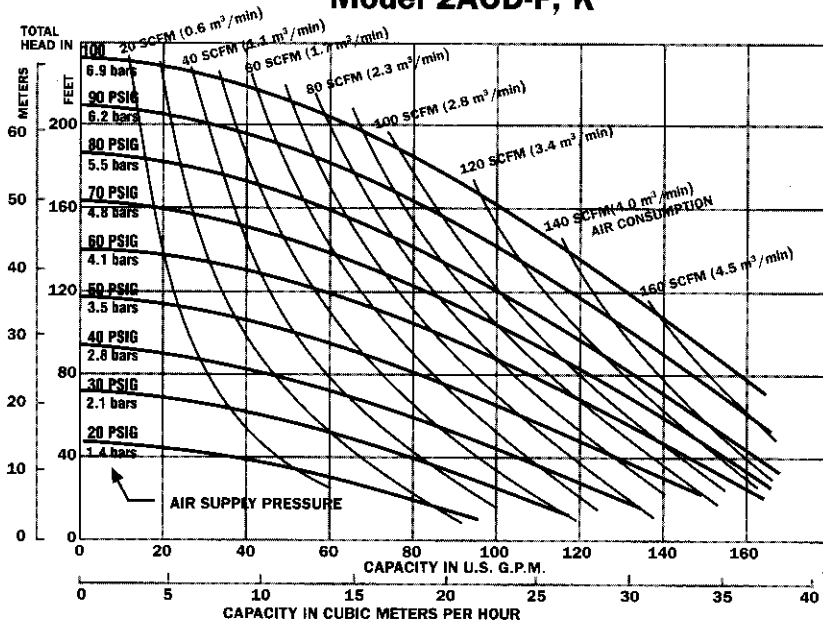
MODEL	SUCTION (BOTTOM)	DISCHARGE (TOP)	AIR INLET
Poly-propylene AOD2-Pxxx	2" ANSI Flange	2" ANSI Flange	3/4" NPT
Poly-propylene AOD2-Pxxx-D	2" DIN Flange	2" DIN Flange	3/4" NPT
PVDF AOD2-Kxxx	2" ANSI Flange	2" ANSI Flange	3/4" NPT
PVDF DIN AOD2-Kxxx-D	2" DIN Flange	2" DIN Flange	3/4" NPT

\*AOD® is a registered trademark of Price® Pump Co.; Viton® and Nordel® are registered trademarks of Dupont Dow Elastomers; Teflon® is registered trademark of Dupont; Santoprene is a registered trademark of Monsanto Company.

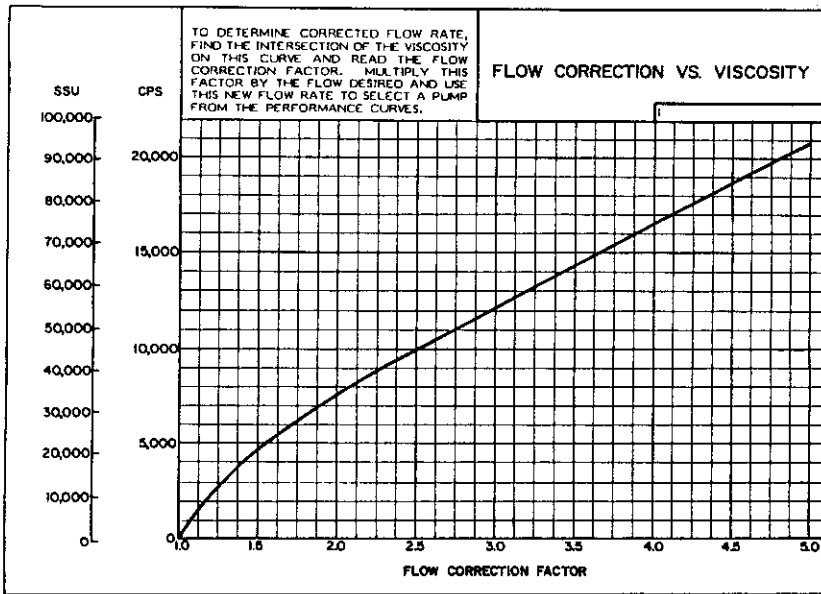


**PRICE PUMP CO.**

## Model 2AOD-P, K



The performance curves shown and other published literature reflect an average performance for all materials and all elastomers, including Teflon®. No derating of the performance is necessary for Teflon® fitted pumps.



Technical Data		MODEL 2AOD-P, K
Maximum flow GPM (litres per minute)		170 (643)
Displacement/Stroke Gal (litres)		.85 (3.2)
Elastomer Diaphragms		.80 (3.0)
Teflon® Diaphragms		
Max Air Inlet Pressure PSI (bar)		125 (8.8)
Max Spherical Solids Size IN (mm)		3/8 (9.5)
High Temperature Limit °F (°C)		Poly 120 (49) PVDF 200 (93)
Low Temperature Limit °F (°C)		32 (0)
Shipping Weight Lbs (kg)		
Polypropylene		82 (37)
PVDF		105 (47)

Elastomer Kits	
MATERIAL	P/N
Neoprene	49-051-00
Buna-N	49-051-10
Viton®	49-051-20
Nordel	49-051-30
Santoprene®	49-051-60
Teflon®	49-051-55

Materials of Construction	
Air valve housing	Polypropylene-glass filled
Air chambers	Polypropylene-glass filled
Spool Housing	316 Stainless Steel
Pump external finish	Polypropylene-glass filled PVDF
Valve type	elastomeric ball

Suction Lifts				
Elastomer type	dry prime		wet prime	
	FT	metres	FT	metres
Standard	20	6.1	22	6.7
Teflon®	12	3.7	20	6.1

# PRICE PUMP CO.

21775 Eight St. East, P.O. Box Q

Sonoma, CA 95476-0329

(800) 345-PUMP

(707) 938-8441 FAX: (707) 938-0764

www.pricepump.com

e-mail: sales@pricepump.com

