

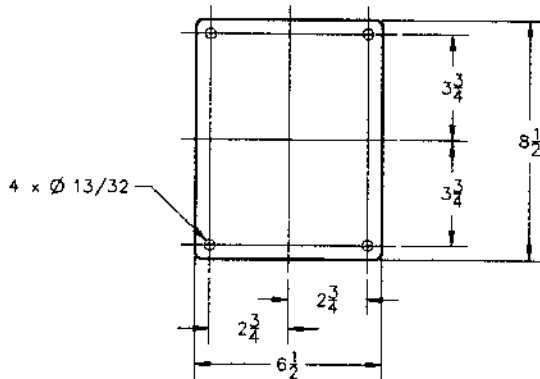
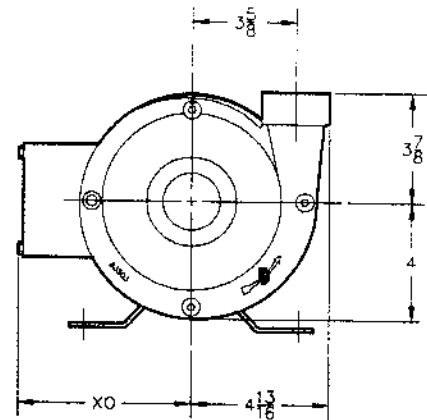
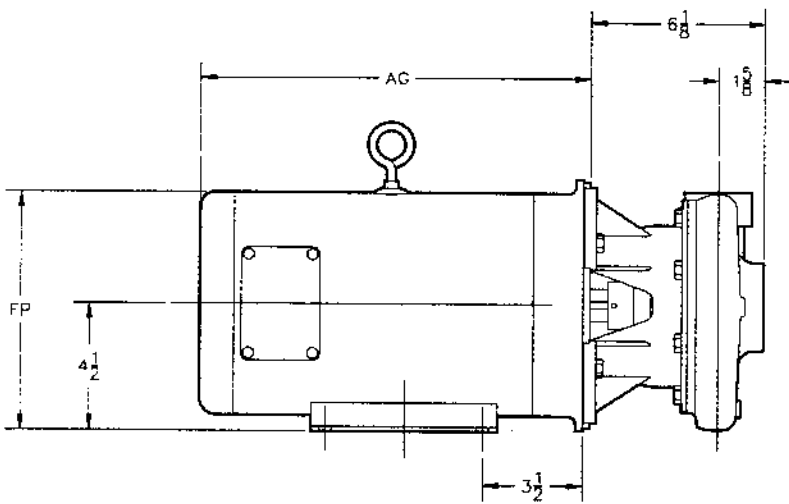


PRICE PUMP CO.



CL150 SS Outline Drawing

Effective: April 18, 2001



HP	RPM	FRM	MOTOR END DIMENSIONS		
			AG	FP	XO
3	3600	182TC	12 5/16	7 3/16	5 1/4
5	3600	184TC	13 5/8	8 1/2	6
7.5	3600	184TC	15 3/16	8 1/2	6

NOTE:

ALL DIMENSIONS HAVE BEEN ROUNDED OFF TO THE NEAREST 1/16".

Price® Pump Company

#1 Pump Way • P.O. Box Q • Sonoma, CA 95476 • (707) 938-8441 • Fax (707) 938-0764