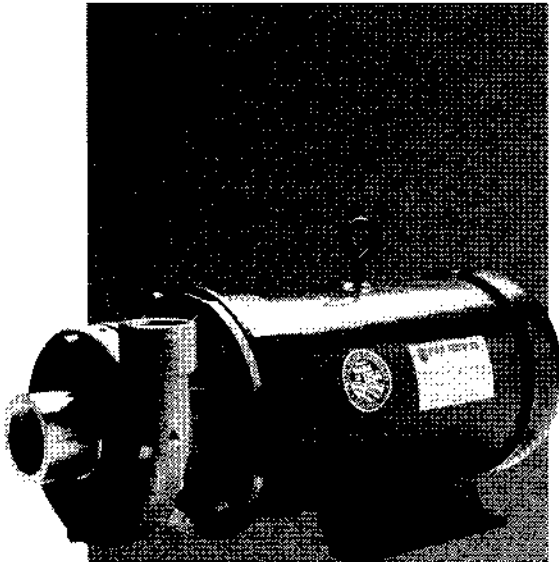


Flow to 240 GPM
Head to 125 ft.



**PRICE
PUMP CO.**

21775 8th St. East,
P.O. Box 6
Sonoma, CA 95476-0329
(800) 345-PUMP
(707) 938-8441
FAX: (707) 938-0764
www.pricepump.com
e-mail: sales@pricepump.com

Type CL

CENTRIFUGAL MOTOR PUMPS

Flows to 240 GPM
Heads to 125 ft.

SIZES

1 1/2" x 2" x 5.6"

MATERIALS

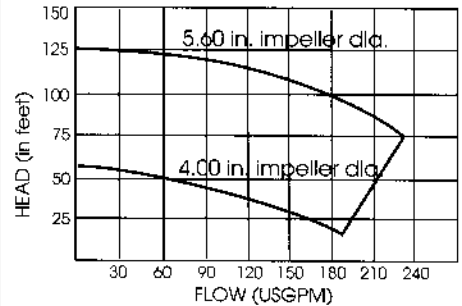
CL-SS 316 SS

APPLICATIONS

- Scrubbers
- Filters
- Washers
- Deionized water
- Acids
- Alkalis
- Glycols
- Solvents
- Caustics
- Reverse osmosis

FEATURES

- Compact close coupled design using standard NEMA TC motors
- Back pull-out design for easy maintenance
- 316SS - John Crane Type 21 Viton®, Carbon vs. Ceramic, standard seal
- John Crane Type 9 Teflon® seal available
- Optional seal face materials include Ni resist, tungsten carbide and silicon carbide
- Optional elastomers include EPR, buna, Neoprene
- Seal flush port standard



TECHNICAL INFORMATION CATEGORY

CL150

| | |
|---------------------------|----------|
| Minimum Recommended Flow* | 40 GPM |
| Max. Working Pressure | 150 PSIG |
| Max. Temperature | 250°F |
| Maximum Solid Size | .15" |

*With Max. Impeller Diameter (5.6")

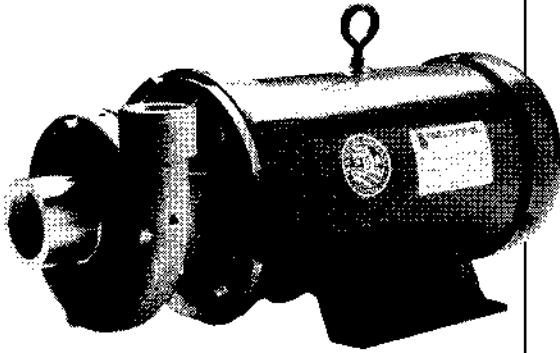
MATERIALS OF CONSTRUCTION

PART

| | |
|------------------|------------|
| Volute | 316 SS |
| Bracket | 316 SS |
| Impeller | 316 SS |
| Fasteners | 316 SS |
| Gasket | Syn. Fiber |
| Sleeve | 316 SS |

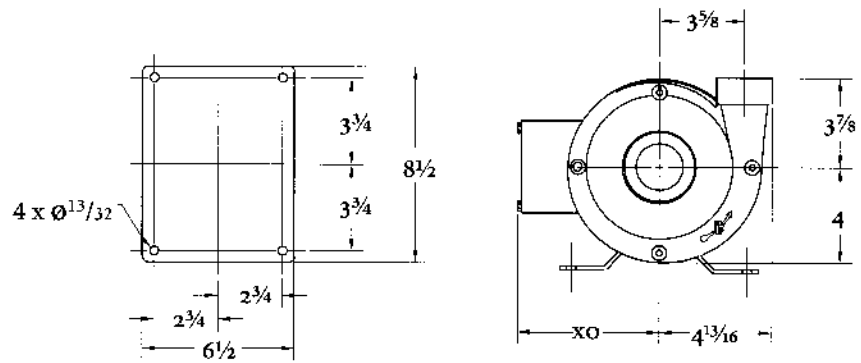
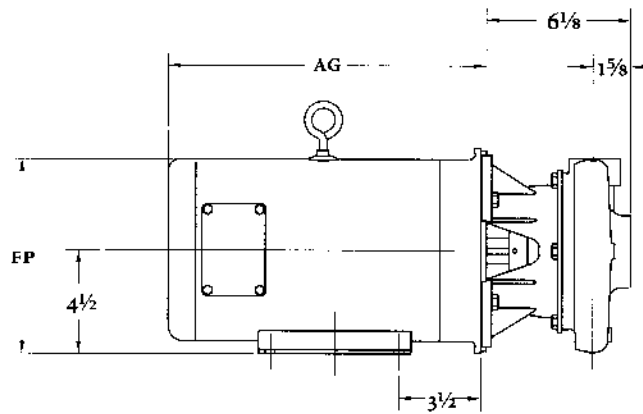
Flow to 240 GPM
Head to 125 ft.

Type CL



CL150SS

Type CL



NOTE: ALL DIMENSIONS HAVE BEEN ROUNDED OFF TO THE NEAREST 1/16"

| HP | RPM | FRM | MOTOR END DIMENSIONS | | |
|-----|------|-------|----------------------|-----------------|----------------|
| | | | AG | FP | XO |
| 3 | 3600 | 184TC | 12 5/16 313mm | 7 3/16 182mm | 5 1/4 133mm |
| 5 | 3600 | 184TC | 13 5/8 346mm | 8 1/2 216mm | 6 152mm |
| 7.5 | 3600 | 184TC | 15 3/16 386mm | 8 1/2 216mm | 6 152mm |