

Flow to 150 GPM  
Head to 95 ft.



# Type SP150

## SELF PRIMING CENTRIFUGAL PUMPS

Flows to 150 GPM  
Heads to 95 Feet

### MATERIALS

- Cast Iron (SP150AI)
- 316 SS (SP150SS)
- Cast Iron - Stainless Fitted (SP150SF)

### APPLICATIONS

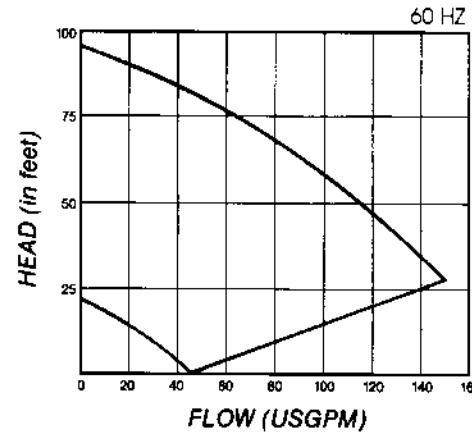
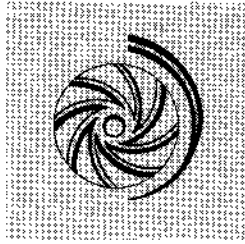
- Ground Water Remediation
- Chemical Sump Pumps
- Filters
- Waste Water Treatment
- Chemical Transfer
- Dewatering
- Pumping Solvents
- Agriculture (Fertilizer, Fumigants, etc)

### FEATURES

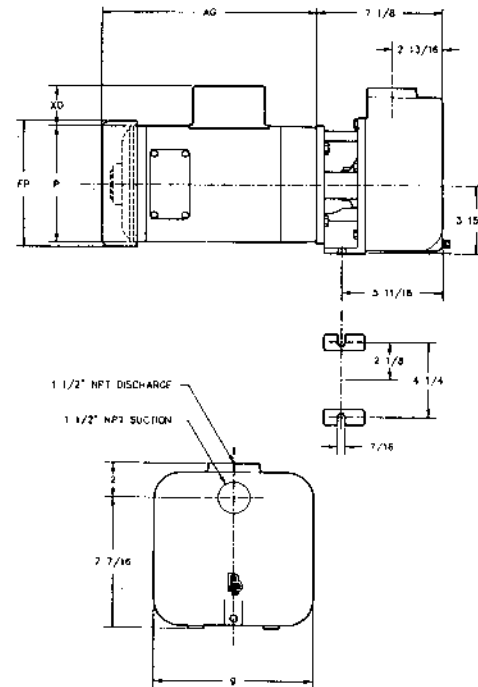
- SIZE: 1 1/2" x 1 1/2" x 4 3/4"
- Compact Close Coupled Design
- Mechanical Seal: 3/4" Type 21 Carbon vs. Ceramic Standard Buna Standard In Cast Iron Viton® Standard in Stainless Steel
- Teflon®, other elastomers, and other seal faces available as options.
- Semi-open impeller.
- Standard NEMA 56C face motors with keyed shafts.
- Open Drip Proof, Totally Enclosed Fan Cooled, and Explosion Proof Motors available from stock.
- Seal flush available.
- Replaceable 316 Stainless Steel Stub Shaft.
- Back Pull Out Design

### ALSO AVAILABLE

- FRAME MOUNTED
- AIR MOTOR DRIVE



Curve for reference only. See engineering curves for final selection.



**SP150**      **DISCHARGE**      **SUCTION**  
                                  1 1/2" NPT      1 1/2" NPT

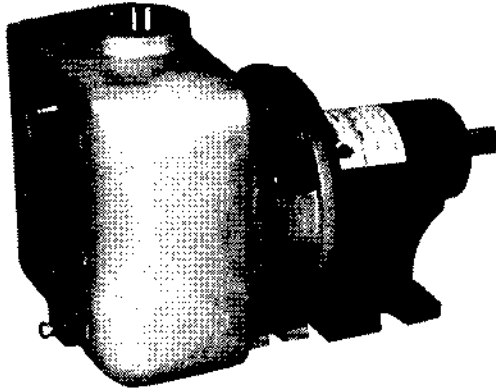
**NOTE:** Motor dimensions will vary by motor and make. Dimensions are to be used for reference only.

**PRICE PUMP CO.**

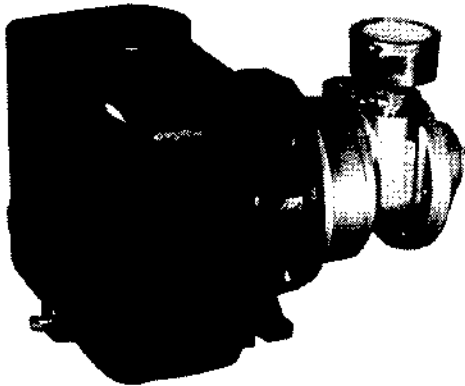
21775 Eighth St. East  
 P.O. Box 2  
 Sonoma, CA 95476  
 (707) 938-8441  
 FAX: (707) 938-0764  
 www.pricepump.com  
 email: sales@pricepump.com

Flow to 150 GPM  
Head to 95 ft.

**Also Available:**



*SP150PSS  
Frame Mounted*



*SP150AI  
With Air Motor*

# Type SP150



## TECHNICAL INFORMATION

Min. Recommended Flow/GPM 10 GPM  
Max. Solid Size .06"

### PRIMING TIMES (Minutes:seconds)

Model #	Impeller Size	5 ft.	10 ft.	15 ft.	20 ft.
SP150 - 42507	4.25/.07	1:30	3:45	6:30	12:25
SP150 - 46312	4.63/.12	1:00	2:25	5:25	10:00
SP150 - 47525	4.75/.25	0:38	1:15	2:48	6:15
SP150 - 47550	4.75/.50	0:20	0:35	1:05	2:25

### SUCTION LIFT

For all other impeller sizes interpolate to achieve approximate priming times.

## MATERIALS OF CONSTRUCTION

	SP150AI	SP150SS	SP150SF
<b>Volute/Difuser</b>	Cast Iron	316 SS	Cast Iron
<b>Impeller</b>	Cast Iron	316 SS	316 SS
<b>Bracket</b>	Cast Iron	316 SS	Cast Iron
<b>Gasket</b>	Syn. Fiber	Teflon®	Syn. Fiber
<b>Shaft</b>	316 SS	316 SS	316 SS
<b>Fasteners</b>	316 SS	316 SS	316 SS