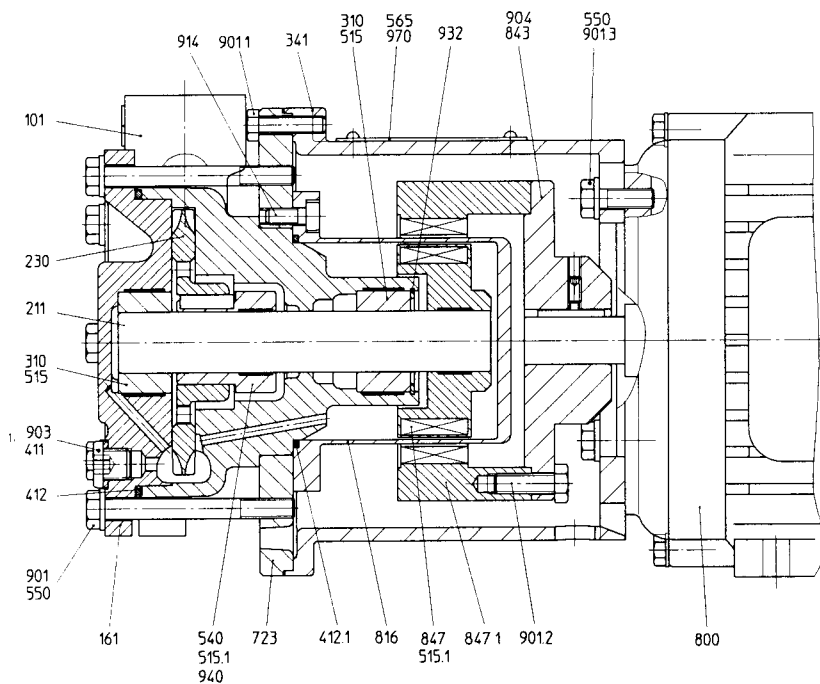


Antrieb:
 Drehstrommotor

drive:
 three-phase motor



- | | | |
|---------|----------------------|-------------------------------|
| 101 | Gehäuse | casing |
| 161 | Gehäusedeckel | casing cover |
| 211 | Welle | shaft |
| 230 | Lauftrad | impeller |
| 310 | Gleitlager | sleeve bearing |
| 320 | Kugellager | ball bearing |
| 341 | Laterne | bracket |
| 400 - 1 | Dichtung | sealing |
| 411 | Dichtring | sealing ring |
| 515 - 1 | Toleranzring | tolerance ring |
| 540 | Buchse | bush |
| 550 | Scheibe | disk |
| 565 | Niet | rivet |
| 723 | Flansch | flange |
| 800 | Motor | motor |
| 816 | Spaltrohr | can |
| 843 | Motorkupplung | motor coupling |
| 847 | Innenmagnet | inner magnet |
| 847.1 | Außenmagnet | outer magnet |
| 901 - 3 | 6-kt. Schraube | hexagon head screw |
| 903 | Verschlusschraube | screwed plug |
| 904 | Gewindestift | set screw |
| 914 | Innen-6-kt. Schraube | hexagon socket head cap screw |
| 932 | Sicherungsring | locking ring |
| 940 | Paßfeder | key |
| 970 | Schild | name plate |

1) auf Anfrage - upon request

