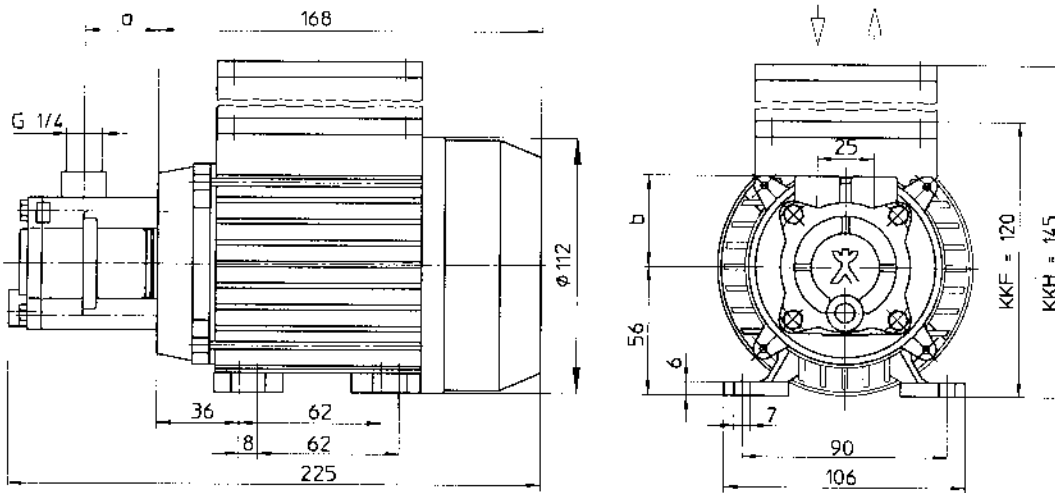


Kleinkreiselpumpe
LNY-2041/2841 – LSY-2841
 normalsaugend - selbstansaugend

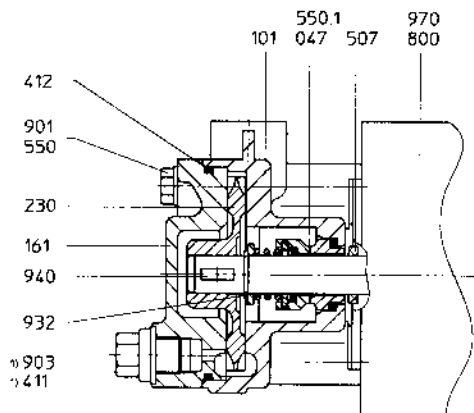
small centrifugal pump
LNY-2041/2841 – LSY-2841
 normal priming - self priming



| |
|-------------------------|
| KKF |
| KK-Deckel flach |
| terminal box cover flat |
| KKH |
| KK-Deckel hoch |
| terminal box cover high |

| Type / type | a | b |
|-------------|----|----|
| LNY-2041 | 33 | 38 |
| LNY-2841 | 30 | 40 |
| LSY-2841 | 24 | 40 |

| | | | | | | | |
|------------------------|--|------|--------|-----------------------|--|-------|---------|
| Wellendichtung: | Gleitringdichtung Radialwellendichtung auf Anfrage | | | shaft sealing: | mechanical seal radial seal ring upon request | | |
| Werkstoffe: | Gehäuse | CuZn | (CuZn) | materials: | casing | brass | (brass) |
| | Gehäusedeckel | CuZn | (CuZn) | | casing cover | brass | (brass) |
| | Laufrad | CuZn | (Peek) | | impeller | brass | (Peek) |
| Anschlüsse: | G 1/4 | | | connections: | G 1/4 | | |
| Motor: | 0,12 kW; 2800/3400 1/min; Einphasen- / Drehstrommotor | | | motor: | 0.16 HP; 2800/3400 rpm single-phase / three-phase motor | | |
| Gewicht: | 4,1 kg | | | weight: | 9 lbs | | |



- 047 Gleitringdichtung mechanical seal
- 101 Gehäuse casing
- 161 Gehäusedeckel casing cover
- 230 Laufrad impeller
- 411 Dichtring joint ring
- 412 Runddichtring O-ring
- 507 Spritzring splash ring
- 550 Scheibe disk
- 550.1 Scheibe disk
- 800 Motor motor
- 901 6-kt.-Schraube hexagon head cap screw
- 903 Verschlusschraube screwed plug
- 932 Sicherungsring locking ring
- 940 Passfeder feather key
- 970 Typenschild name plate

1) nur als Sonderausführung / only as special execution

