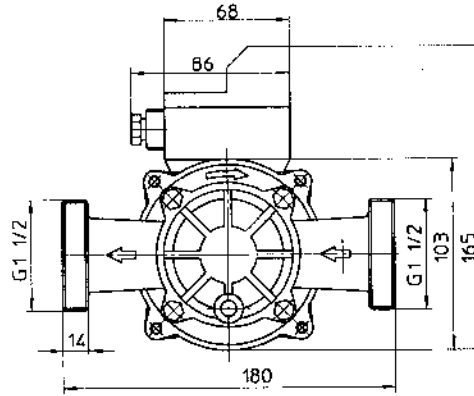
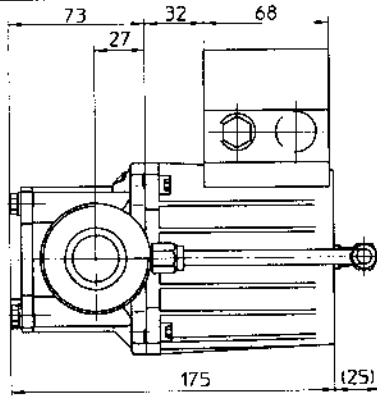
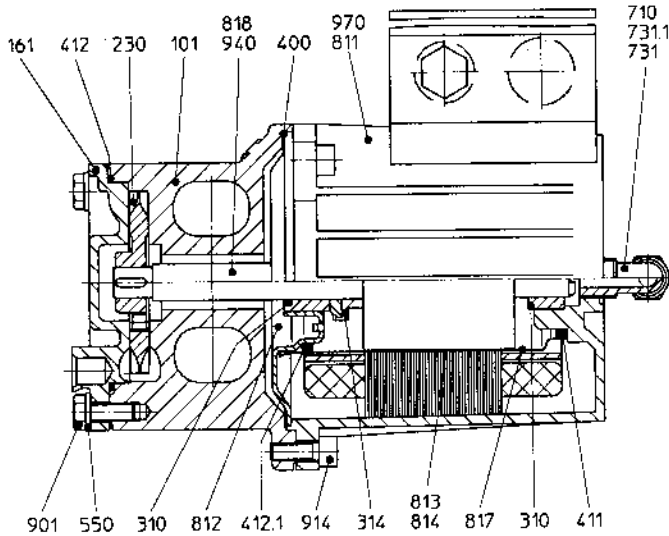


**Kleinkreiselpumpe**  
**NPY-2051-Inline**  
 normalsaugend

**small centrifugal pump**  
**NPY-2051-Inline**  
 normal priming



<b>Weilendichtung:</b>	dichtungslos			<b>shaft sealing:</b>	without sealing:		
<b>Werkstoffe:</b>	Gehäuse	CuZn	(CuZn)	<b>materials:</b>	casing	brass	(brass)
	Gehäusedeckel	CuZn	(CuZn)		casing cover	brass	(brass)
	Laufrad	CuZn	(Peek)		impeller	brass	(Peek)
<b>Anschlüsse:</b>	G 1 1/2 ; G 2 auf Anfrage			<b>connections:</b>	G 1 1/2 ; G 2 upon request		
<b>Motor:</b>	Spaltrohrmotor - drehzahlverstellbar Stufe 1; n = 2100 1/min; P <sub>1</sub> = 184 W; 50 Hz Stufe 2; n = 2670 1/min; P <sub>1</sub> = 274 W; 50 Hz Stufe 3; n = 2760 1/min; P <sub>1</sub> = 310 W; 50 Hz 60 Hz auf Anfrage			<b>motor:</b>	canned motor – speed changeable stage 1; n = 2100 rpm; P <sub>1</sub> = 0.25 HP; 50 cycles stage 2; n = 2670 rpm; P <sub>1</sub> = 0.37 HP; 50 cycles stage 3; n = 2760 rpm; P <sub>1</sub> = 0.42 HP; 50 cycles 60 cycles upon request		
<b>Gewicht:</b>	5,8 kg			<b>weight:</b>	13 lbs		



- |       |                     |                        |
|-------|---------------------|------------------------|
| 101   | Gehäuse             | casing                 |
| 161   | Gehäusedeckel       | casing cover           |
| 230   | Laufrad             | impeller               |
| 310   | Gleitlager          | sleeve bearing         |
| 314   | Axiallager          | thrust bearing         |
| 400   | Dichtung            | gasket                 |
| 412   | Runddichtring       | O-ring                 |
| 550   | Scheibe             | disk                   |
| 710   | Rohr                | pipe                   |
| 731   | Einschraubnippel    | screwed nipple         |
| 731.1 | Einschraubwinkel    | screwed angle          |
| 811   | Motorgehäuse        | motor casing           |
| 812   | A-Lagerschild       | A-shield               |
| 813   | Statorpaket         | stator laminations     |
| 814   | Wicklung            | windings               |
| 817   | Spaltrohr           | can                    |
| 818   | Rotor               | rotor                  |
| 901   | 6-kt.-Schraube      | hexagon head cap screw |
| 914   | Innen-6-kt.Schraube | socket head cap screw  |
| 940   | Passfeder           | feather key            |
| 970   | Typenschild         | name plate             |

