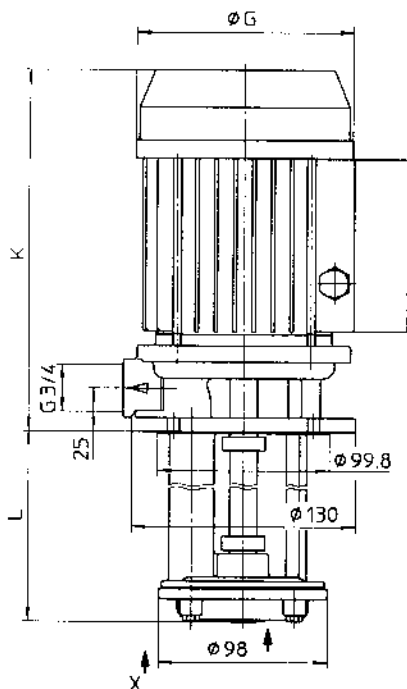


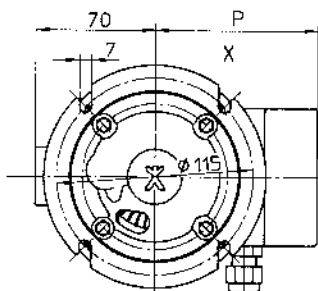
Tauchpumpe
T-201/401/601
T-402/602

submersible pump
T-201/401/601
T-402/602



	BG 63	BG 71
K	212	235
Ø G	126	144
P	95	104

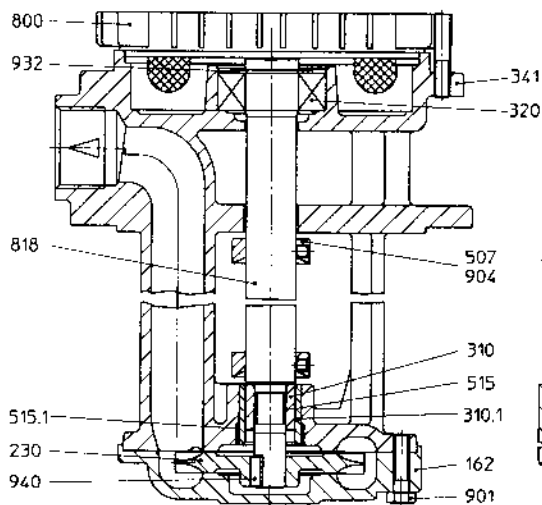
Type / type	L
T-.../110	110
T-.../130	130
T-.../150	150
T-.../180	180
T-.../200	200
T-.../300	300



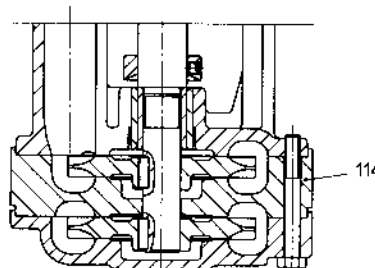
Einbaulage:	vertikal		
Werkstoffe:	Laterne	CuSn	(1.4581; CuZn)
	Saugdeckel	CuSn	(1.4581)
	Stufe	CuSn	(1.4581)
	Lauftrad	Peek	(1.4408; CuZn)
Anschluss:	Druck - G 3/4		
Motor:	BG 63	0,35 kW Wechselstrom	
	T-201/401/601	0,50 kW Drehstrom; 2800/3400 1/min	
	BG 71	0,75/1,0 kW Drehstrom; 2800/3400 1/min	
	T-402/602		
Gewicht:	auf Anfrage		

mounting position:	vertical		
materials:	bracket	bronze	(stainless steel; brass)
	suction cover	bronze	(stainless steel)
	stage	bronze	(stainless steel)
	impeller	Peek	(stainless steel; brass)
connection:	discharge - G 3/4		
motor:	BG 63	0,50 HP single-phase motor	
	T-201/401/601	0,70 HP three-phase motor; 2800/3400 rpm	
	BG 71	1.0/1.34 HP three-phase motor	
	T-402/602	2800/3400 rpm	
weight:	upon request		

BG = motor frame size



T-201/401/601



T-402/602

114	Stufe	stage
162	Saugdeckel	suction cover
230	Lauftrad	impeller
310	Gleitlager	sleeve bearing
310.1	Gleitlager	sleeve bearing
320	Kugellager	ball bearing
341	Laterne	bracket
507	Spritzring	splash ring
515	Toleranzring	tolerance ring
515.1	Toleranzring	tolerance ring
800	Motor	motor
818	Rotor	rotor
901	6-kt. Schraube	hexagon head cap screw
904	Gewindestift	set screw
932	Sicherungsring	locking ring
940	Passfeder	feather key

