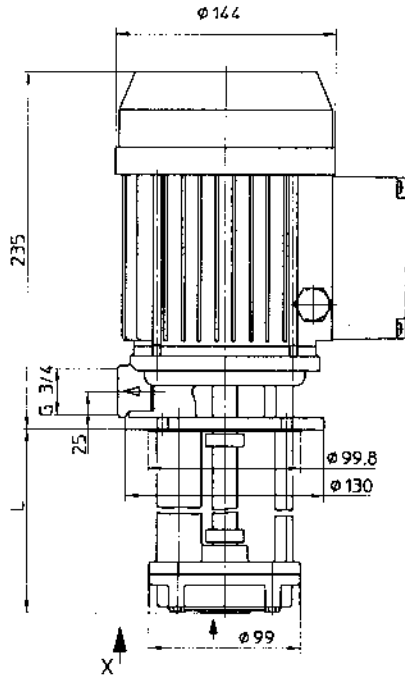


**Tauchpumpe
T-701**

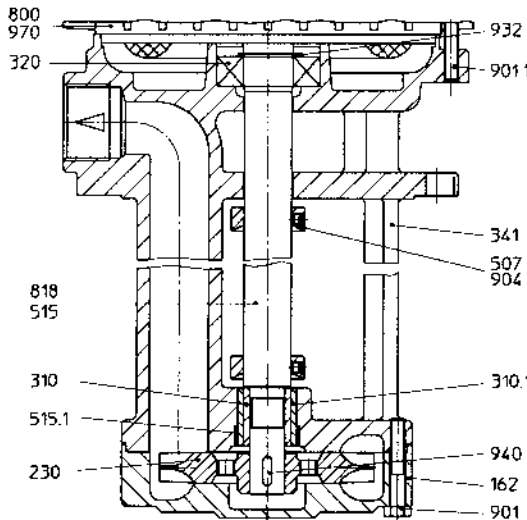
**submersible pump
T-701**



Type / type	L
T-.../110	110
T-.../150	150
T-.../200	200

Einbaulage:	vertikal		
Werkstoffe:	Laterne	CuSn	(1.4581)
	Saugdeckel	CuSn	(1.4581)
	Laufrad	Peek	(1.4408)
Anschluss:	Druck - G 3/4		
Motor:	1,0 kW; Drehstrommotor; 2800/3400 1/min		
Gewicht:	auf Anfrage		

mounting position:	vertical		
materials:	bracket	bronze	(stainless steel)
	suction cover	bronze	(stainless steel)
	impeller	Peek	(stainless steel)
connection:	discharge - G 3/4		
motor:	1.3 HP; three-phase motor; 2800/3400 rpm		
weight:	upon request		



- | | | |
|-------|----------------|------------------------|
| 162 | Saugdeckel | suction cover |
| 230 | Laufrad | impeller |
| 310 | Gleitlager | sleeve bearing |
| 310.1 | Gleitlager | sleeve bearing |
| 320 | Kugellager | ball bearing |
| 341 | Laterne | bracket |
| 507 | Spritzring | splash ring |
| 515 | Toleranzring | tolerance ring |
| 515.1 | Toleranzring | tolerance ring |
| 550 | Scheibe | disk |
| 800 | Motor | motor |
| 818 | Rotor | rotor |
| 901 | 6-kt. Schraube | hexagon head cap screw |
| 901.1 | 6-kt. Schraube | hexagon head cap screw |
| 904 | Gewindestift | set screw |
| 932 | Sicherungsring | locking ring |
| 940 | Passfeder | feather key |

