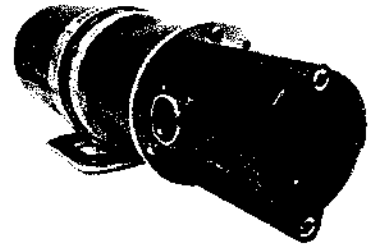


P-SERIES

**Magnetic Coupled External Gear Pump
Non-Pulsing Flow, Positive Displacement,
Accurate, Leak Free, Chemical Resistant, Long Life**



Flow Rates: < 1 GPH to 63 GPH
< 4 L/Hr to 238 L/Hr
Temperatures: 0°F to 150°F
18°C to 65°C
Differential Pressures: 130 PSI
9 bar
System Pressures: 300 PSI
20 bar

Viscosity: 0.3 to 1000 cps +
Magnet Torque: 15 to 50 in/oz
Magnet Materials: Ceramic
Metal Wetted Parts: 316 Stainless Steel,
Hastelloy or Titanium
Ports: 1/8-27 NPT

Speed: 5,000 RPM maximum
Service Life: Up to 10,000 hours +
Suction Vacuum: 28.5 " Hg
724 mm Hg
Self Priming: Yes, wetted
Bypass: Optional
Size: 1.6" diameter pump head

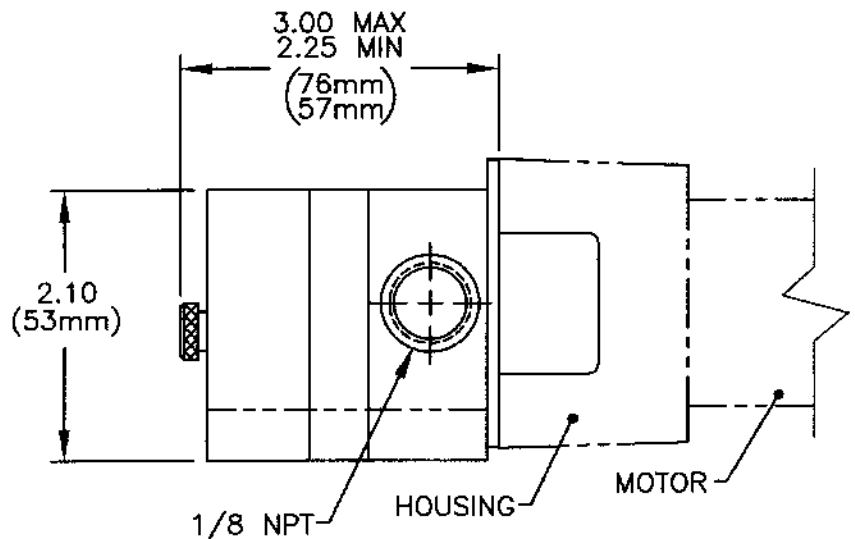
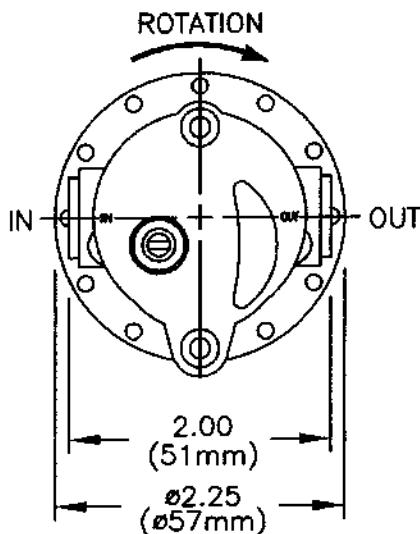
Flow @ 3500 RPM

MODEL ml/rev	GPH @ 0 PSI	L/Hr @ 0 bar	GPH @ PSI Differential Pressure	L/Hr @ bar Differential Pressure	Continuous Duty Limit	
					PSI	bar
.23	12	45	1.7 @ 100	6 @ 6.9	130	9
.38	20	76	3 @ 130	11 @ 9	130	9
.57	30	114	13 @ 110	49 @ 7.6	110	7.6
.68	36	136	21 @ 90	79 @ 6.2	90	6.2
1.2	63	238	49 @ 70	185 @ 4.8	70	4.8

Performance Estimate Based on Pumping Ambient Temperature Clean Water

Tuthill Pump Group specializes in OEM applications. All pumps have a wide range of options. Consult factory for other options and performance requirements.

Applications: Laboratory, Water Purification, Lubrication, Fluid Transfer, Recirculation, Cooling, Chemical Metering, Sampling, Temperature Control, Additive Delivery, Proportioning, Chemical Handling, Automotive, Oil Filtration, Acids, General Use.



**Tuthill Pump Group
Concord Operations**

5143 Port Chicago Highway
Concord, California 94520 USA
Tel: 925.676.8000 • Fax: 925.676.8151
email: concord@tuthill.com
www.tuthillpump.com

Materials of Construction

Metal Wetted Parts: 316 Stainless Steel, Hastelloy C276 or Titanium

Gears & Bearings: PPS (Polyphenylene Sulfide)

O-Rings: Viton

Ports: 1/8 NPT

Magnet Shrouds: Ceramic Magnets (stronium ferrite) may be O-Ring seal shrouded

Magnet Torque: 15 in/oz, 30 in/oz or 50 in/oz

Bypass: Full flow externally adjustable bypass option available

Suction Vacuum: Pumps self prime when wetted with operating fluid to 28.5 Hg" (724mm Hg).
Dry lift not recommended. Fluid viscosity, temperature and pressure may affect the performance.

Motors: AC, DC, Air, Variable Speed or Motor Mate Adapter Kits

