

VECTOR SERIES PERISTALTIC PUMPS

MODEL 2002

Features

- Dry pump cavity
- Self-priming operation
- Runs dry without damage
- Complete isolation of pumped fluid
- Heavy-duty roller bearings
- Wide range of pump configurations/flows
- No cups, packing or seals
- Low maintenance
- Reversible flow

Industries Served by Vector Series Pumps

- Waste water and water treatment
- Chemical processing
- Petrochemicals
- Pulp and paper
- Ceramics
- Mining
- Paints and coatings
- Dairy processing
- Pharmaceuticals
- Cosmetics



Materials of Construction

Non-Wetted Parts

Casing: aluminum alloy

Rotor: aluminum alloy

Rollers: plastic/alloy

Wetted Parts

Hose:

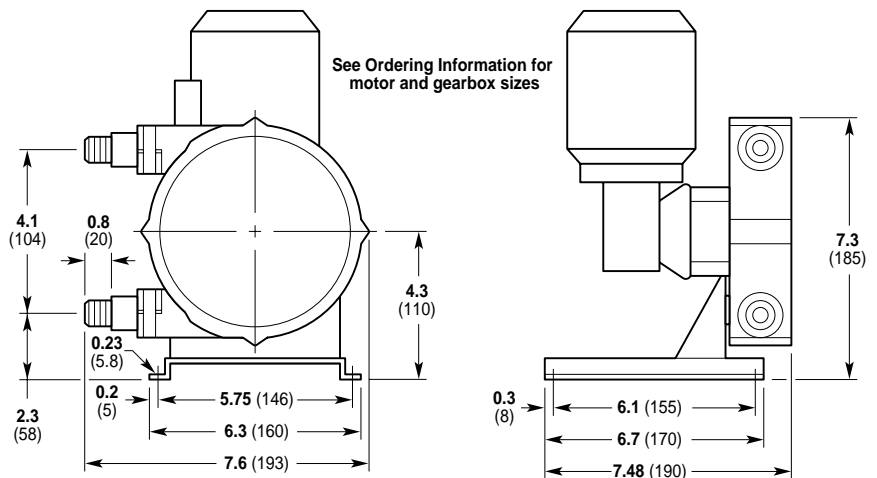
EXTRUDED— Neoprene, Hypalon, Varprenne, Silicone, PharMed®

BRAIDED— Natural rubber

Inlet/Outlet Connections: Teflon, brass or stainless steel hose barb, brass NPT, and stainless steel sanitary tri-clamp

Dimensions

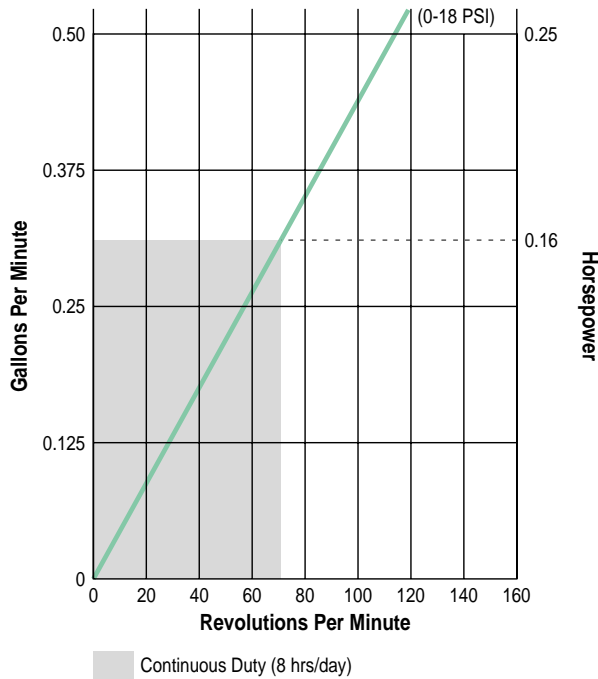
inches (mm)



1204 Chestnut Avenue, Minneapolis, MN 55403 USA
 (612) 332-5681 FAX (612) 332-6937

Toll Free FAX (USA only) (800) 332-6812

Email: sales@wannereng.com Website: www.vectorpump.com



Fluid Characteristics

Viscosity	15,000 cps (max)
Liquid Temperature	180°F (82° C) (max)
Solid Size	1/16 inch (1.6 mm) (max)
Fiber Length	1/4 inch (6.3 mm) (max)

Specifications

Discharge Pressure	18 psi (1.2 bar) max
Suction Lift	7 ft (2.1 m)
Suction Pressure (max)	15 psi (1 bar)
Horsepower (max)¹	1/4
Hose Size	9 x 16 x 330 mm
Displacement	0.0044 gal/rev
Weight	6.5 lbs (3 kg)

¹ Pumps are shaft driven and require a gearbox and motor. See Ordering Information for details.

Ordering Information

A complete Vector pump order number uses a 9 character order code to identify the desired hose, fittings and drive. Select the appropriate items from the chart below and use the order code from each group to complete the pump assembly order number.

1	2	0	0	2	-	5	6	-	7	8	-	9	10
---	---	---	---	---	---	---	---	---	---	---	---	---	----

Order Digit	Order Code	Description
1-4	2002	Pump Designation Model 2002 Shaft Drive Pump
5-6		Hose Material/Type
	FE	PharMed®, extruded
	HE	Hypalon, extruded
	NF	Natural Rubber, fiber-braided
	PE	Neoprene, extruded
	SE	Silicone, extruded
	VE	Varprene, extruded
7-8		Connector Material/Style
	AA	Teflon, 1/2" hose barb
	CC	316 SST, Sanitary, 3/4" tri-clamp
	FF	Brass, 3/8" hose barb
	GG	Brass, 3/8" male NPT
	SS	316 SST, 3/8" hose barb
	TT	316 SST, 3/8" male NPT
9-10		Drive
		Flow GPM Gear Ratio Pump RPM Max PSI
		1Ø, 1/4 BHP TEFC, 115-230 VAC, 60 Hz
	B2	0.10 70:1 24 20
	D2	0.12 60:1 28 20
	F2	0.19 40:1 43 17
	H2	0.25 30:1 57 17
	J2	0.30 20:1 86 17
		3Ø, 1/4 BHP TEFC, 230-460 VAC, 60 Hz
		3:1 Constant Torque Speed Range
	L2	0.10 70:1 24 20
	N2	0.12 60:1 28 20
	P2	0.19 40:1 43 17
	R2	0.25 30:1 57 17
	V2	0.30 20:1 86 17
	A	No Drive

¹ Meets FDA and NSP for food handling. Maximum pressure: 13.5 psi.

 **Wanner Engineering, Inc.**
1204 Chestnut Avenue, Minneapolis, MN 55403 USA
(612) 332-5681 FAX (612) 332-6937

Toll Free FAX (USA only) (800) 332-6812
Email: sales@wannereng.com Website: www.vectorpump.com