

VECTOR SERIES PERISTALTIC PUMPS

MODEL 2003

Features

- Dry pump cavity
- Self-priming operation
- Runs dry without damage
- Complete isolation of pumped fluid
- Heavy-duty roller bearings
- Wide range of pump configurations/flows
- No cups, packing or seals
- Low maintenance
- Reversible flow

Industries Served by Vector Series Pumps

- Waste water and water treatment
- Chemical processing
- Petrochemicals
- Pulp and paper
- Ceramics
- Mining
- Paints and coatings
- Dairy processing
- Pharmaceuticals
- Cosmetics



Materials of Construction

Non-Wetted Parts

Casing: aluminum alloy

Rotor: aluminum alloy

Rollers: plastic/alloy

Wetted Parts

Hose:

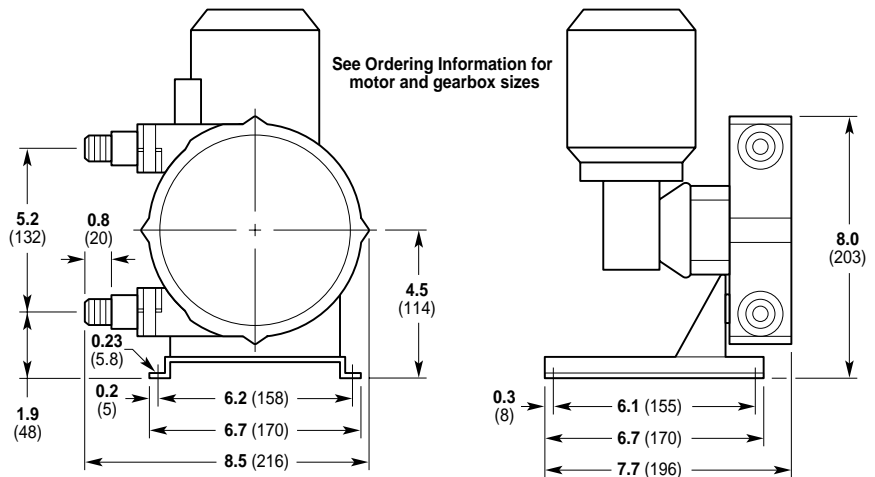
EXTRUDED— Neoprene, Hypalon, Varprenne, Silicone, PharMed®

BRAIDED— Natural rubber

Inlet/Outlet Connections: Teflon, brass or stainless steel hose barb, brass NPT, and stainless steel sanitary tri-clamp

Dimensions

inches (mm)



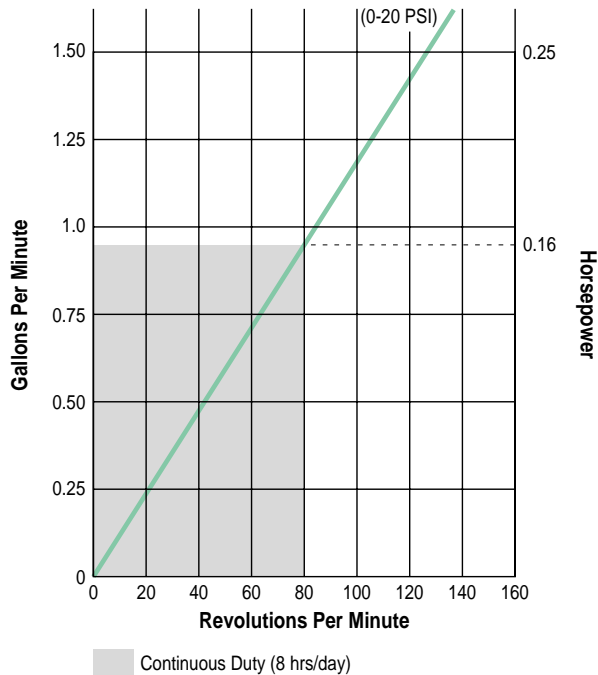
Wanner Engineering, Inc.

1204 Chestnut Avenue, Minneapolis, MN 55403 USA

(612) 332-5681 FAX (612) 332-6937

Toll Free FAX (USA only) (800) 332-6812

Email: sales@wannereng.com Website: www.vectorpump.com



Fluid Characteristics

| | |
|---------------------------|--------------------------|
| Viscosity | 15,000 cps (max) |
| Liquid Temperature | 180°F (82° C) (max) |
| Solid Size | 1/16 inch (1.6 mm) (max) |
| Fiber Length | 1/4 inch (6.3 mm) (max) |

Specifications

| | |
|-------------------------------------|----------------------|
| Discharge Pressure | 20 psi (1.3 bar) max |
| Suction Lift | 10 ft (3.0 m) |
| Suction Pressure (max) | 15 psi (1 bar) |
| Horsepower (max)¹ | 1/4 |
| Hose Size | 13 x 22 x 390 mm |
| Displacement | 0.011 gal/rev |
| Weight | 10 lbs (4.5 kg) |

¹ Pumps are shaft driven and require a gearbox and motor. See Ordering Information for details.

Ordering Information

A complete Vector pump order number uses a 9 character order code to identify the desired hose, fittings and drive. Select the appropriate items from the chart below and use the order code from each group to complete the pump assembly order number.

| | | | | | | | | | |
|----------|----------|----------|----------|----------|----------|----------|----------|----------|-----------|
| 1 | 2 | 3 | 4 | 5 | 6 | 7 | 8 | 9 | 10 |
| 2 | 0 | 0 | 3 | | | | | | |

| Order Digit | Order Code | Description |
|-------------|-------------|--|
| 1-4 | 2003 | Pump Designation Model 2003 Shaft Drive Pump |
| 5-6 | | Hose Material/Type |
| | FE | PharMed®, extruded |
| | HE | Hypalon, extruded |
| | NF | Natural Rubber, fiber-braided |
| | PE | Neoprene, extruded |
| | SE | Silicone, extruded |
| | VE | Varprene, extruded |
| 7-8 | | Connector Material/Style |
| | AA | Teflon, 3/4" hose barb |
| | CC | 316 SST, Sanitary, 3/4" tri-clamp |
| | FF | Brass, 1/2" hose barb |
| | GG | Brass, 1/2" male NPT |
| | SS | 316 SST, 1/2" hose barb |
| | TT | 316 SST, 3/4" male NPT |
| 9-10 | | Drive |
| | | Flow GPM Gear Ratio Pump RPM Max PSI |
| | | 1Ø, 1/4 BHP TEFC, 115-230 VAC, 60 Hz |
| | B2 | 0.26 70:1 24 20 |
| | D2 | 0.31 60:1 28 20 |
| | F2 | 0.47 40:1 43 20 |
| | H2 | 0.62 30:1 57 17 |
| | J2 | 0.94 20:1 86 17 |
| | | 3Ø, 1/4 BHP TEFC, 230-460 VAC, 60 Hz |
| | | 3:1 Constant Torque Speed Range |
| | L2 | 0.26 70:1 24 20 |
| | N2 | 0.31 60:1 28 20 |
| | P2 | 0.47 40:1 43 20 |
| | R2 | 0.62 30:1 57 17 |
| | V2 | 0.94 20:1 86 17 |
| | A | No Drive |

¹ Meets FDA and NSP for food handling. Maximum pressure: 13.5 psi.

 **Wanner Engineering, Inc.**
1204 Chestnut Avenue, Minneapolis, MN 55403 USA
(612) 332-5681 FAX (612) 332-6937

Toll Free FAX (USA only) (800) 332-6812
Email: sales@wannereng.com Website: www.vectorpump.com