

VECTOR SERIES PERISTALTIC PUMPS

MODEL 2005

Features

- Dry pump cavity
- Self-priming operation
- Runs dry without damage
- Complete isolation of pumped fluid
- Heavy-duty roller bearings
- Wide range of pump configurations/flows
- No cups, packing or seals
- Low maintenance
- Reversible flow

Industries Served by Vector Series Pumps

- Waste water and water treatment
- Chemical processing
- Petrochemicals
- Pulp and paper
- Ceramics
- Mining
- Paints and coatings
- Dairy processing
- Pharmaceuticals
- Cosmetics



Materials of Construction

Non-Wetted Parts

Casing: aluminum alloy

Rotor: aluminum alloy

Rollers: plastic/alloy

Wetted Parts

Hose:

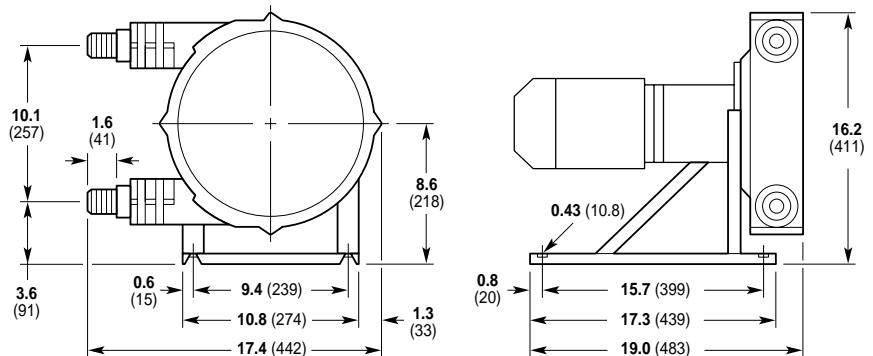
EXTRUDED— Neoprene, Hypalon, Varpene, Silicone

BRAIDED— EPDM, Hypalon, Nitrile rubber, Natural rubber (regular and heavy duty)

Inlet/Outlet Connections: Teflon or stainless steel hose barb, stainless steel or carbon steel ANSI flange, Teflon NPT, and stainless steel sanitary tri-clamp

Dimensions

inches (mm)



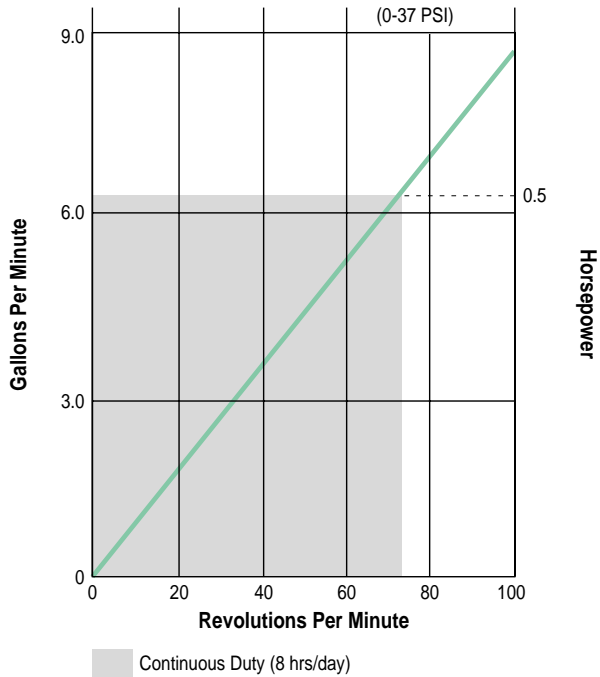
Wanner Engineering, Inc.

1204 Chestnut Avenue, Minneapolis, MN 55403 USA

(612) 332-5681 FAX (612) 332-6937

Toll Free FAX (USA only) (800) 332-6812

Email: sales@wannereng.com Website: www.vectorpump.com



Fluid Characteristics

Viscosity	15,000 cps (max)
Liquid Temperature	180°F (82° C) (max)
Solid Size	1/8 inch (3.2 mm) (max)
Fiber Length	1/2 inch (12.7 mm) (max)

Specifications

Discharge Pressure	37 psi (2.6 bar) max
Suction Lift	16.5 ft (5.0 m)
Suction Pressure (max)	25 psi (1.7 bar)
Horsepower (max)¹	3/4
Hose Size²	25 x 43 x 860 mm
Displacement	0.085 gal/rev
Weight	40 lbs (18 kg)

¹ Pumps are shaft driven and require a gearbox and motor. See Ordering Information for details.

² Size for Material/Type MF Hose: 25 x 43 x 850 mm.

Ordering Information

A complete Vector pump order number uses a 9 character order code to identify the desired hose, fittings and drive. Select the appropriate items from the chart below and use the order code from each group to complete the pump assembly order number.

1	2	3	4	5	6	7	8	9	10
	2	0	0	5					

Order Digit	Order Code	Description
1-4	2005	Pump Designation Model 2005 Shaft Drive Pump

5-6	Hose Material/Type
BF	Nitrile Rubber, fiber-braided
EF	EPDM, fiber-braided
HE	Hypalon, extruded
HF	Hypalon, fiber-braided
MF	Natural Rubber, fiber-braided (heavy duty)
NF	Natural Rubber, fiber-braided
PE	Neoprene, extruded
SE	Silicone, extruded
VE	Varpene, extruded

7-8	Connector Material/Style
AA	Teflon, 1-1/4" hose barb
BB	316 SST, 1" ANSI flange
CC	316 SST, Sanitary, 1-1/2" tri-clamp
DD	Carbon Steel, 1" ANSI flange
EE	Carbon Steel, 1" male NPT
HH	Teflon, 1" male NPT
SS	316 SST, 1" hose barb

9-10	Drive			
	Flow GPM	Gear Ratio	Pump RPM	Max PSI
	3Ø, 1/2 BHP TEFC, 230-460 VAC, 60 Hz			
	4:1 Constant Torque Speed Range			
B2	1.7	85:1	20	37
D2	2.5	56:1	30	37
F2	3.2	45:1	38	37
H2	3.8	37:1	46	37
	3Ø, 3/4 BHP TEFC, 230-460 VAC, 60 Hz			
	4:1 Constant Torque Speed Range			
J2	5.9	24:1	70	29
A	No Drive			

 **Wanner Engineering, Inc.**
 1204 Chestnut Avenue, Minneapolis, MN 55403 USA
 (612) 332-5681 FAX (612) 332-6937

Toll Free FAX (USA only) (800) 332-6812
 Email: sales@wannereng.com Website: www.vectorpump.com