

# VECTOR SERIES PERISTALTIC PUMPS

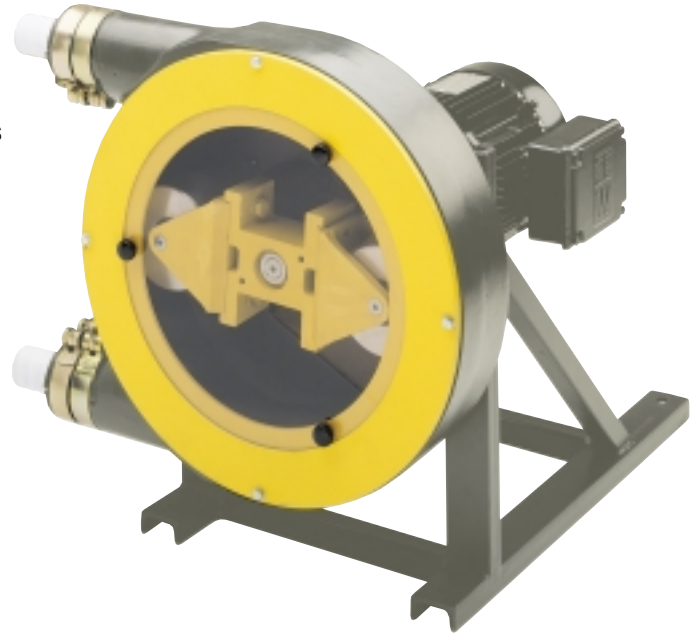
## MODEL 2006

### Features

- Dry pump cavity
- Self-priming operation
- Runs dry without damage
- Complete isolation of pumped fluid
- Heavy-duty roller bearings
- Wide range of pump configurations/flows
- No cups, packing or seals
- Low maintenance
- Reversible flow

### Industries Served by Vector Series Pumps

- Waste water and water treatment
- Chemical processing
- Petrochemicals
- Pulp and paper
- Ceramics
- Mining
- Paints and coatings
- Dairy processing
- Pharmaceuticals
- Cosmetics



### Materials of Construction

#### Non-Wetted Parts

Casing: aluminum alloy

Rotor: aluminum alloy

Rollers: plastic/alloy

#### Wetted Parts

Hose:

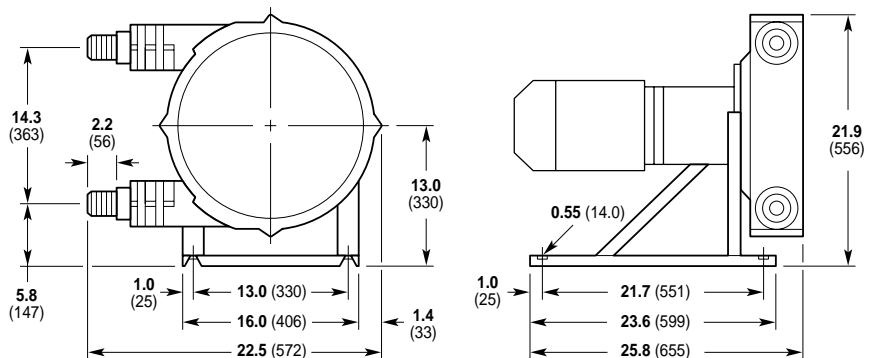
EXTRUDED– Neoprene, Hypalon, Varpene, Silicone

BRAIDED– Hypalon, Nitrile rubber, Natural rubber (regular and heavy duty)

Inlet/Outlet Connections: Teflon or stainless steel hose barb, stainless steel or carbon steel ANSI flange, Teflon NPT, and stainless steel sanitary tri-clamp

### Dimensions

inches (mm)

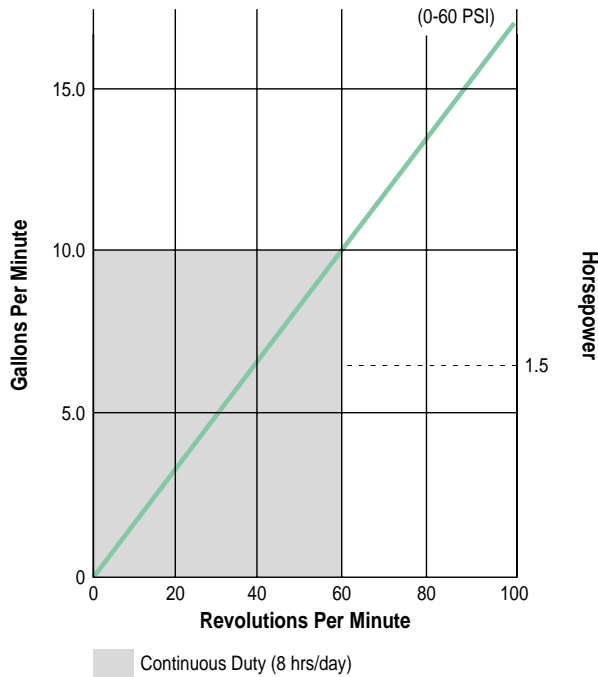


1204 Chestnut Avenue, Minneapolis, MN 55403 USA

(612) 332-5681 FAX (612) 332-6937

Toll Free FAX (USA only) (800) 332-6812

Email: sales@wannereng.com Website: www.vectorpump.com



## Fluid Characteristics

<b>Viscosity</b>	15,000 cps (max)
<b>Liquid Temperature</b>	180°F (82° C) (max)
<b>Solid Size</b>	1/8 inch (3.2 mm) (max)
<b>Fiber Length</b>	1/2 inch (12.7 mm) (max)

## Specifications

<b>Discharge Pressure</b>	60 psi (4.1 bar) max
<b>Suction Lift</b>	20 ft (6.1 m)
<b>Suction Pressure (max)</b>	25 psi (1.7 bar)
<b>Horsepower (max)<sup>1</sup></b>	2
<b>Hose Size</b>	30 x 55 x 1150 mm
<b>Displacement</b>	0.182 gal/rev
<b>Weight</b>	95 lbs (43 kg)

<sup>1</sup> Pumps are shaft driven and require a gearbox and motor. See Ordering Information for details.

## Ordering Information

A complete Vector pump order number uses a 9 character order code to identify the desired hose, fittings and drive. Select the appropriate items from the chart below and use the order code from each group to complete the pump assembly order number.

<b>1</b>	<b>2</b>	<b>3</b>	<b>4</b>	<b>5</b>	<b>6</b>	<b>7</b>	<b>8</b>	<b>9</b>	<b>10</b>
2	0	0	6						

Order Digit	Order Code	Description
<b>1-4</b>	<b>2006</b>	<b>Pump Designation</b> Model 2006 Shaft Drive Pump

<b>5-6</b>	<b>Hose Material/Type</b>
<b>BF</b>	Nitrile Rubber, fiber-braided
<b>HE</b>	Hypalon, extruded
<b>HF</b>	Hypalon, fiber-braided
<b>MF</b>	Natural Rubber, fiber-braided (heavy duty)
<b>NF</b>	Natural Rubber, fiber-braided
<b>PE</b>	Neoprene, extruded
<b>SE</b>	Silicone, extruded
<b>VE</b>	Varprene, extruded

<b>7-8</b>	<b>Connector Material/Style</b>
<b>AA</b>	Teflon, 1-1/4" hose barb
<b>BB</b>	316 SST, 1-1/4" ANSI flange
<b>CC</b>	316 SST, Sanitary, 1-1/2" tri-clamp
<b>DD</b>	Carbon Steel, 1-1/4" ANSI flange
<b>EE</b>	Carbon Steel, 1-1/2" male NPT
<b>HH</b>	Teflon, 1-1/4" male NPT
<b>SS</b>	316 SST, 1-1/4" hose barb

<b>9-10</b>	<b>Drive</b>	<b>Flow GPM</b>	<b>Gear Ratio</b>	<b>Pump RPM</b>	<b>Max PSI</b>
<b>3Ø, 1 BHP TEFC, 230-460 VAC, 60 Hz</b>					
<b>4:1 Constant Torque Speed Range</b>					
<b>B2</b>		3.5	90:1	19	60
<b>3Ø, 1-1/2 BHP TEFC, 230-460 VAC, 60 Hz</b>					
<b>4:1 Constant Torque Speed Range</b>					
<b>D2</b>		4.8	65:1	27	60
<b>F2</b>		7.2	43:1	40	60
<b>3Ø, 2 BHP TEFC, 230-460 VAC, 60 Hz</b>					
<b>4:1 Constant Torque Speed Range</b>					
<b>H2</b>		10.3	30:1	57	45
<b>J2</b>		14.1	22:1	78	45
<b>A</b>	No Drive				

 **Wanner Engineering, Inc.**  
1204 Chestnut Avenue, Minneapolis, MN 55403 USA  
(612) 332-5681 FAX (612) 332-6937

Toll Free FAX (USA only) (800) 332-6812  
Email: sales@wannereng.com Website: www.vectorpump.com