

VECTOR S E R I E S PERISTALTIC PUMPS

MODEL 2008

Features

- Dry pump cavity or lubricant filled
- Self-priming operation
- Runs dry without damage
- Complete isolation of pumped fluid
- Heavy-duty roller bearings
- Wide range of pump configurations/flows
- No cups, packing or seals
- Low maintenance
- Reversible flow

Industries Served by Vector Series Pumps

- Waste water and water treatment
- Chemical processing
- Petrochemicals
- Pulp and paper
- Ceramics
- Mining
- Paints and coatings
- Dairy processing
- Pharmaceuticals
- Cosmetics

Materials of Construction

Non-Wetted Parts

Casing: aluminum alloy

Rotor: aluminum alloy

Rollers: aluminum alloy

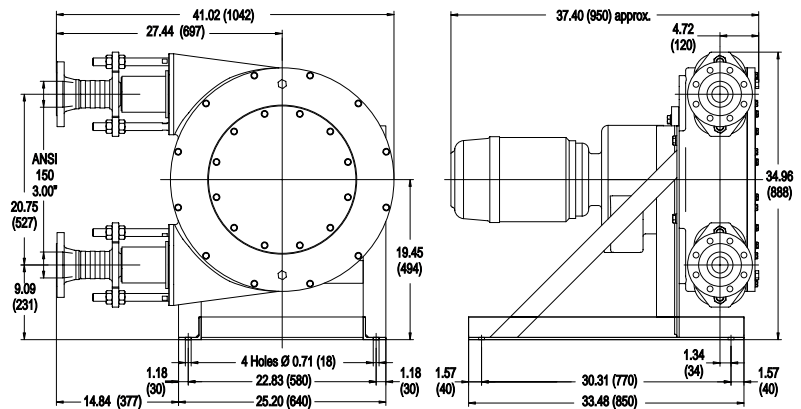
Wetted Parts

Hose: BRAIDED— Hypalon, EPDM, Natural rubber (regular and heavy duty)

Inlet/Outlet Connections: Stainless steel or carbon steel ANSI flange, Stainless steel NPT

Dimensions

inches (mm)



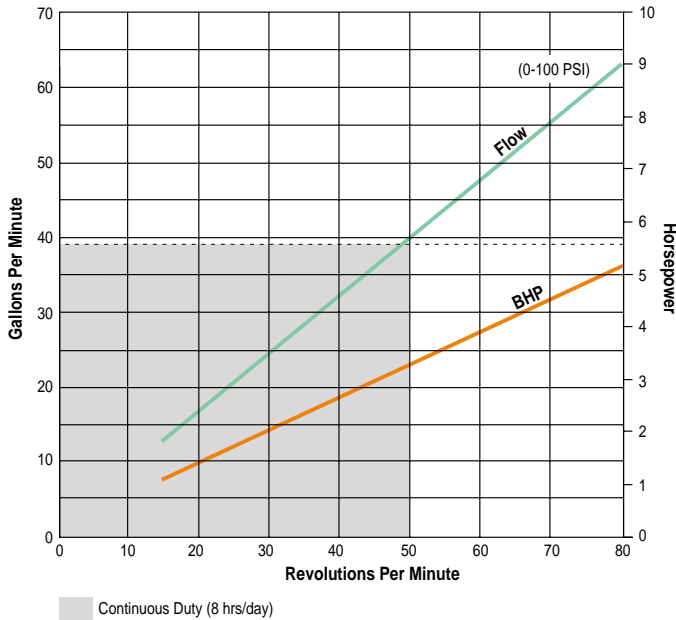
Wanner Engineering, Inc.

1204 Chestnut Avenue, Minneapolis, MN 55403 USA

(612) 332-5681 FAX (612) 332-6937

Toll Free FAX (USA only) (800) 332-6812

Email: sales@wannereng.com Website: www.vectorpump.com



Fluid Characteristics

Viscosity	100,000 cps (max)
Liquid Temperature	180°F (82° C) (max)
Solid Size	1-1/8 inch (29 mm) (max)
Fiber Length	36 inch (914 mm) (max)

Specifications

Discharge Pressure	100 psi (7 bar) max
Suction Lift	24 ft (7.3 m)
Suction Pressure (max)	21 psi (1.4 bar)
Horsepower - BHP(max) ¹	12
Hose Size	55 x 90 x 1850 mm
Displacement	1.05 gal/rev
Lubrication Fluid (max)	4 gal
Weight	739 lbs (336 kg)

¹ Pumps are shaft driven and require a gearbox and motor. See Ordering Information for details.

Ordering Information

A complete Vector pump order number uses a 10 character order code to identify the desired hose, fittings and drive. Select the appropriate items from the chart below and use the order code from each group to complete the pump assembly order number.

1	2	3	4	5	6	7	8	9	10
2	0	0	8						

Order Digit	Order Code	Description
1-4	2008	Pump Designation Model 2008 Shaft Drive Pump
5-6	EF MF NF HF	Hose Material/Type (max hose pressure) EPDM, fiber-braided (75 psig) Natural Rubber, fiber-braided (heavy duty) (100 psig) Natural Rubber, fiber-braided (75 psig) Hypalon, fiber-braided (75 psig)
7-8	BB EE TT	Connector Material/Style 316 SST, 3" ANSI flange Carbon Steel, 3" male NPT 316 SST, 3" male NPT
9-10	B2 D2 F2 H2 J2 L2 A	Drive Flow GPM Gear Ratio Pump RPM Max PSI BHP Three Phase, TEFC, 230-460 VAC, 60 Hz 4:1 Constant Torque Speed Range 15 83:1 21 100 3 23 60:1 29 100 5 28 48:1 36 100 5 31 42:1 40 100 5 39 37:1 47 100 5 51 27:1 64 90 7.5 No Drive

 **Wanner Engineering, Inc.**
1204 Chestnut Avenue, Minneapolis, MN 55403 USA
(612) 332-5681 FAX (612) 332-6937

Toll Free FAX (USA only) (800) 332-6812
Email: sales@wannereng.com Website: www.vectorpump.com