

VECTOR SERIES PERISTALTIC PUMPS

MODEL 3005

Features

- Lubricant filled cavity – constant lubrication
- Self-priming operation
- Runs dry without damage
- Complete isolation of pumped fluid
- Heavy-duty roller bearings
- Wide range of pump configurations/flows
- No cups, packing or seals
- Low maintenance
- Reversible flow

Industries Served by Vector Series Pumps

- Waste water and water treatment
- Chemical processing
- Petrochemicals
- Pulp and paper
- Ceramics
- Mining



Materials of Construction

Non-Wetted Parts

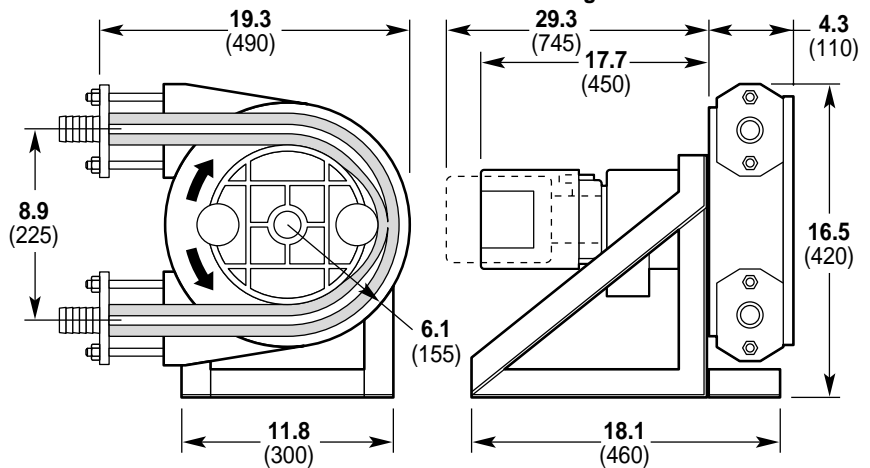
Casing: aluminum
 Rollers: steel
 Roller Holders: cast iron
 Rotor: cast iron
 Frame: steel

Wetted Parts

Hose:
 FIBER BRAIDED– Nitrile rubber,
 Natural rubber, Hypalon, EPDM
 Inlet/Outlet Connections: PVC, Carbon
 steel, Stainless Steel

Dimensions

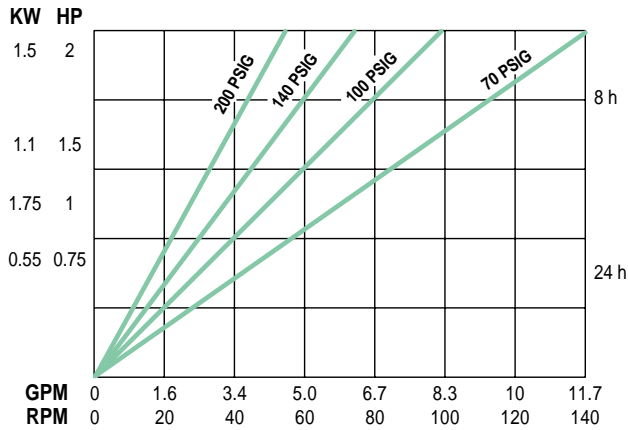
inches (mm)



1204 Chestnut Avenue, Minneapolis, MN 55403 USA
 (612) 332-5681 FAX (612) 332-6937

Toll Free FAX (USA only) (800) 332-6812

Email: sales@wannereng.com Website: www.vectorpump.com



Fluid Characteristics

Viscosity	100,000 cps (max)
Liquid Temperature	180°F (82° C) (max)
Solid Size	0.6 inch (15 mm) (max)
Fiber Length	4 inch (100 mm) (max)

Specifications

Discharge Pressure	200 psi (13.8 bar) max
Suction Lift	22 ft (6.7 m)
Suction Pressure (max)	21 psi (1.4 bar)
Power (max)¹	2 HP (1.5 kW)
Hose Size	25 x 45 x 850 mm
Displacement	0.085 gal/rev (0.032 l/rev)
Weight	176 lbs (80 kg)

¹ Pumps are shaft driven and require a gearbox and motor. See Ordering Information for details.

Ordering Information

A complete Vector pump order number uses a 9 character order code to identify the desired hose, fittings and drive. Select the appropriate items from the chart below and use the order code from each group to complete the pump assembly order number.

1	2	3	4	5	6	7	8	9	10
3	0	0	5						

Order Digit	Order Code	Description	
1-4	3005	Pump Designation Model 3005 Shaft Drive Pump	
5-6		Hose Material/Type	
	CF	Nitrile Rubber, fiber-braided (heavy duty)	
	EF	EPDM, fiber-braided	
	HF	Hypalon, fiber-braided	
	MF	Natural Rubber, fiber-braided (heavy duty)	
	NF	Natural Rubber, fiber-braided	
7-8		Connector Material/Style	
	DD	Carbon Steel, 1-1/4" ANSI flange	
	EB	Carbon Steel, 1-1/4" hose barb	
	EE	Carbon Steel, 1-1/4" male NPT	
	PV	PVC, 1-1/4" hose barb	
	SS	316 SST, 1-1/4" hose barb	
9-10		Drive	
		Flow GPM Gear Ratio Pump RPM Max PSI	
		3Ø, 3/4 BHP TEFC, 230-460 VAC, 60 Hz	
		4:1 Constant Torque Speed Range	
B2	1.5	90:1	19 200
D2	2	69:1	25 175
		3Ø, 1 BHP TEFC, 230-460 VAC, 60 Hz	
		4:1 Constant Torque Speed Range	
F2	3.1	43:1	39 150
H2	6.2	22:1	78 100
		3Ø, 2 BHP TEFC, 230-460 VAC, 60 Hz	
		4:1 Constant Torque Speed Range	
J2	8.2	17:1	102 75
L2	9.8	14:1	123 50
X			No Drive

 **Wanner Engineering, Inc.**
1204 Chestnut Avenue, Minneapolis, MN 55403 USA
(612) 332-5681 FAX (612) 332-6937

Toll Free FAX (USA only) (800) 332-6812
Email: sales@wannereng.com Website: www.vectorpump.com